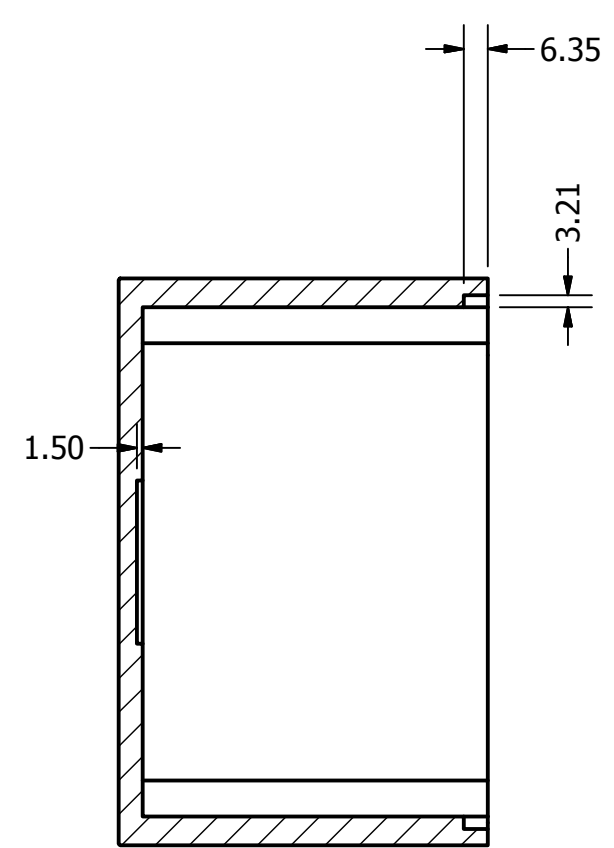
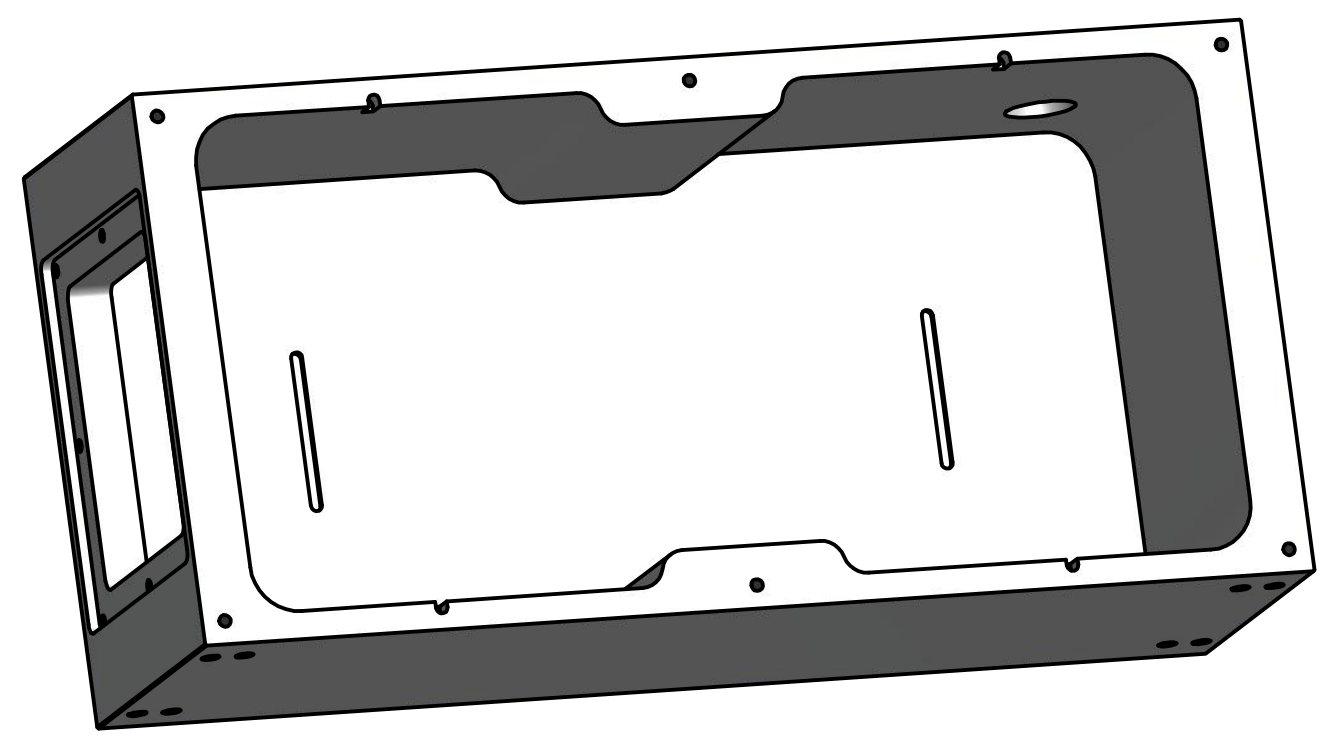


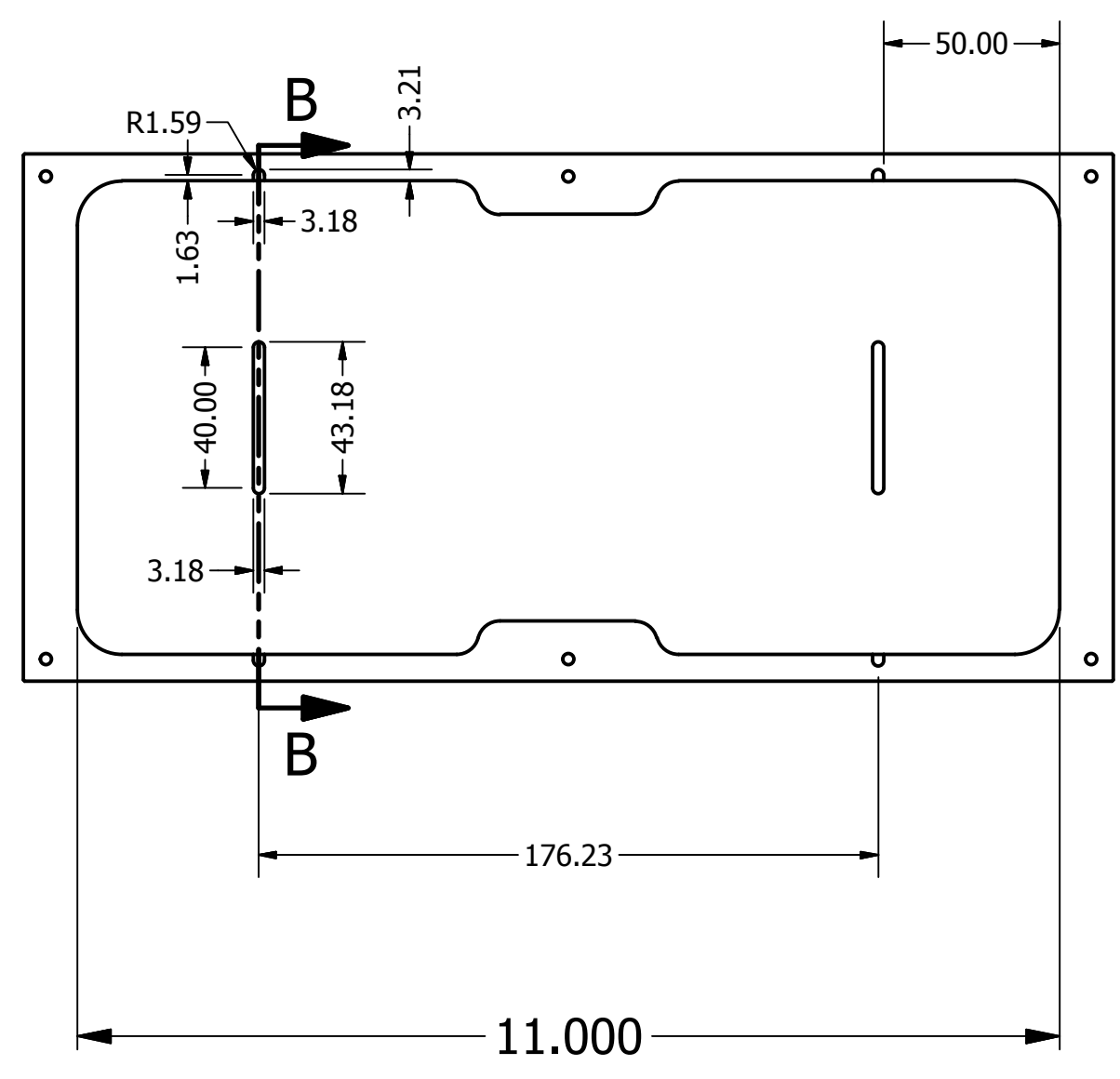
4 3 2 1

D
C
B
A

D
C
B
A



SECTION B-B



DRAWN corbin.boyle	2/13/2015			
CHECKED		TITLE		
QA				
MFG				
APPROVED				
		SIZE C	DWG NO	REV
		SCALE	SHEET 1 OF 1	

4 3 2 1