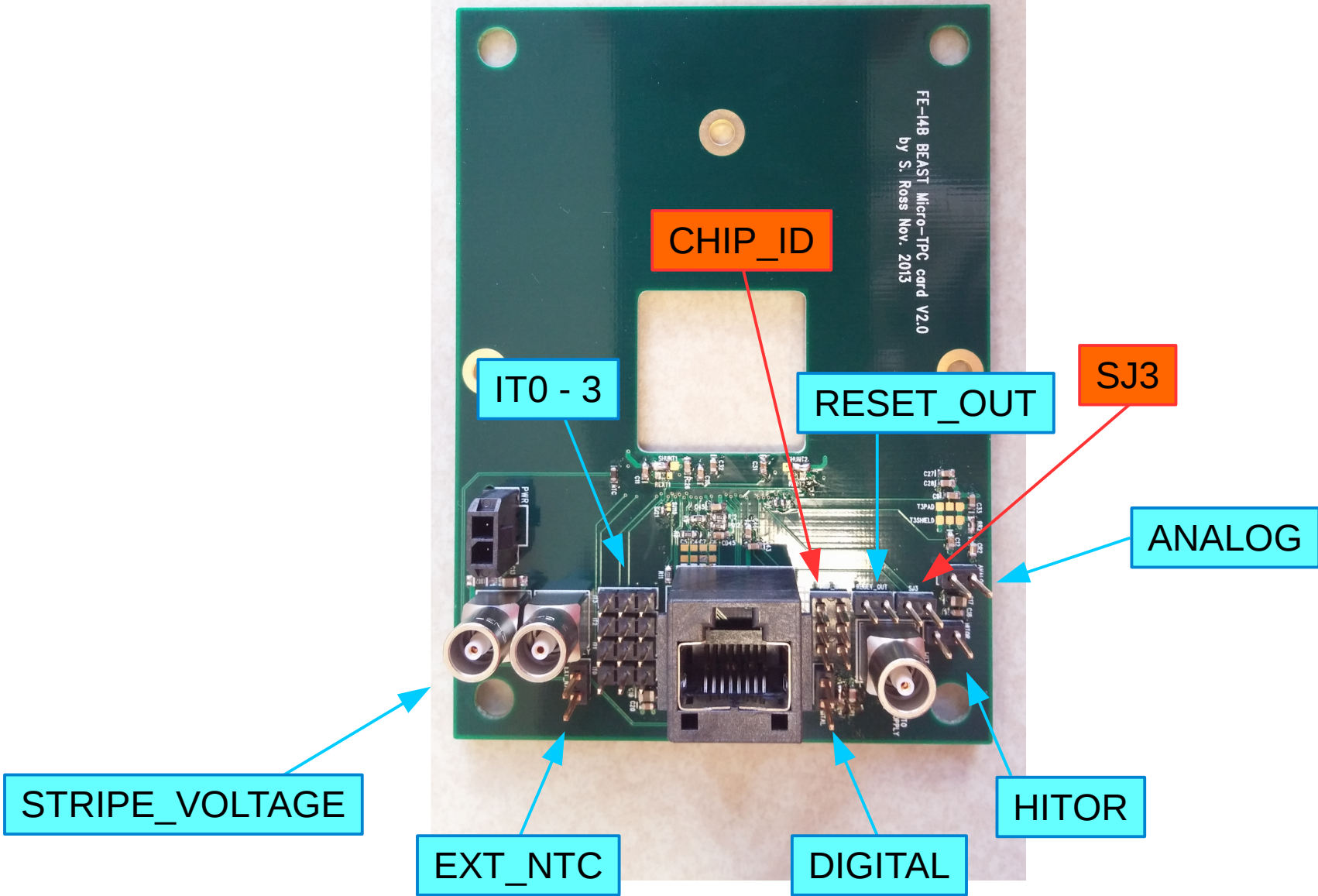


# Board Ordering for FE-I4

ILSOO SEONG  
Jan 21, 2015

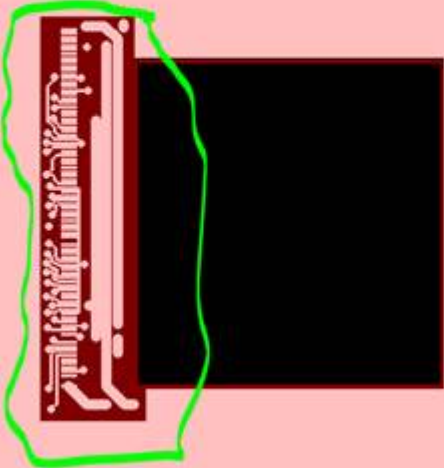
Will Remove all Blue Arrows components  
Leave Red Arrows  
No Design Change



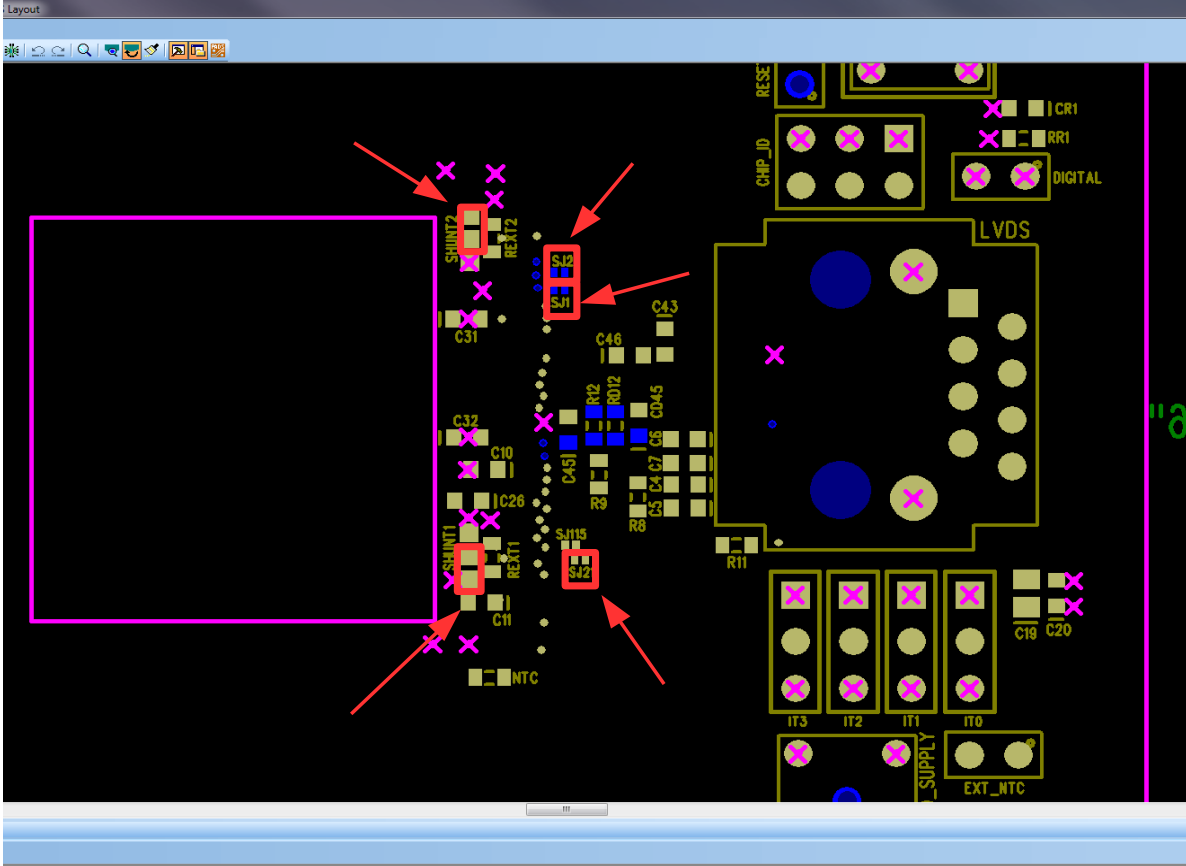
# Additional Request to Vendor

For Fabrication

Wire-bondable Gold



# Assembly: Wire Connection (non-SMT)



### Cost to purchase components (Digi-key)

	Per Board	For 20 Boards	For 40 Boards
Full	86.62	1732.4	3464.8
Essential Only *	55.08	1101.6	2203.2

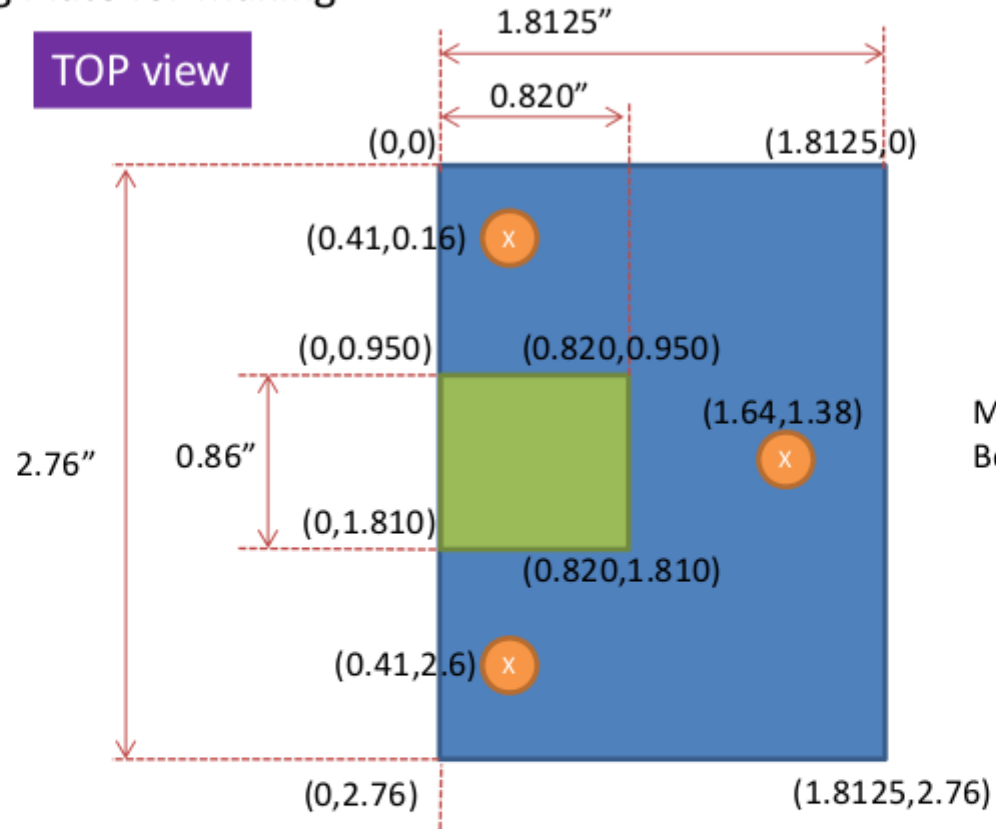
Contacted two more vendors but they are more expensive than below companies.

	Fabrication (10days)		Assembly (Labor Fee/10days)		Minimum Total	ETC
	40	50	20	40		
PCB Universe	1,087.79	1,112.62	748.50	?	1837+1102 = 2939	Shipping \$60
Sierra	1,650.00	1650.00	742.00	1048.00	2392+1102 =3494	Seems not precise

Made by Aluminum Plate (6061)  
 Screw : from Igal

Chip Supporting Plate for making

TOP view



Mounting hole size :  $d = 0.125''$   
 Board thickness :  $0.061''$

Side view



Chip :  $0.743 \text{ mm} = 0.0293''$   
 Chip supporter :  $0.061'' - 0.0293'' = 0.0317''$  ?