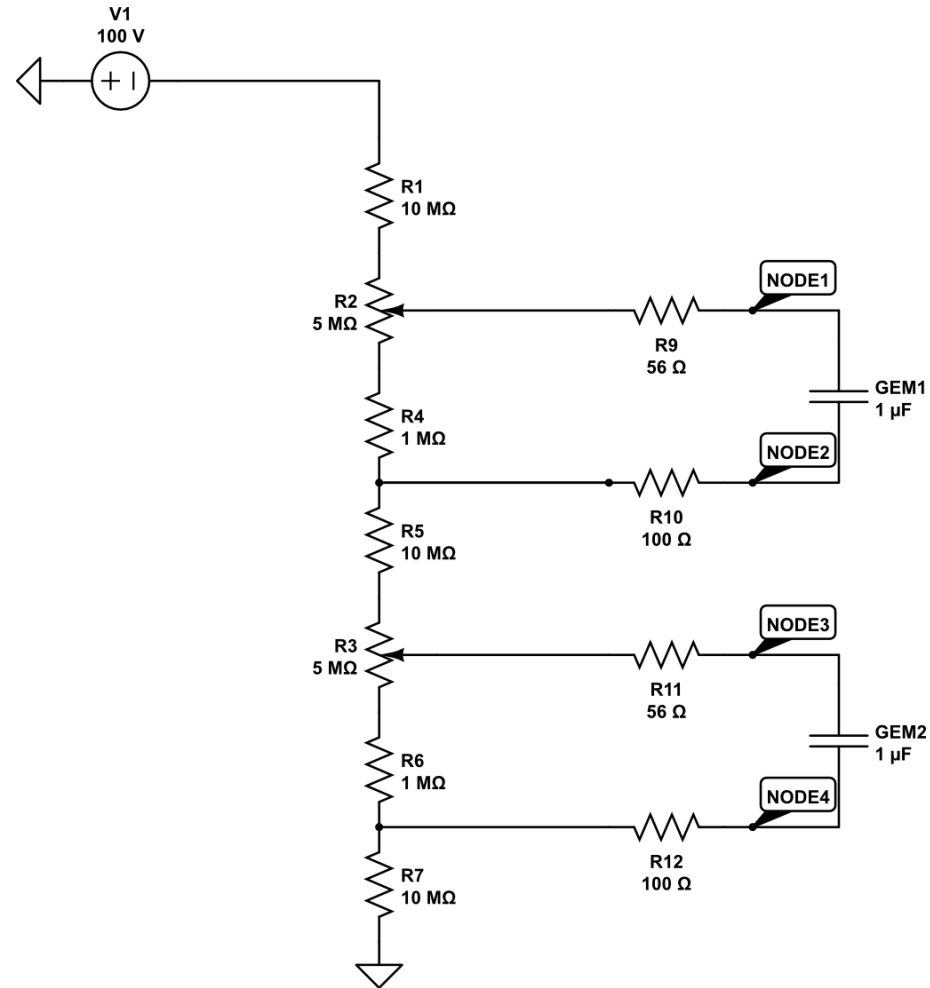


High Voltage Divider into two GEMs



R2	R3	NODE1	NODE2	NODE3	NODE4	$ \Delta V_{12} $	$ \Delta V_{34} $
1	1	-76.19	-61.90	-38.10	-23.18	14.29	14.92
0.5	0.5	-70.24	-61.90	-32.14	-23.81	8.34	8.33
0	0	-64.29	-61.90	-26.19	-23.81	2.39	2.38