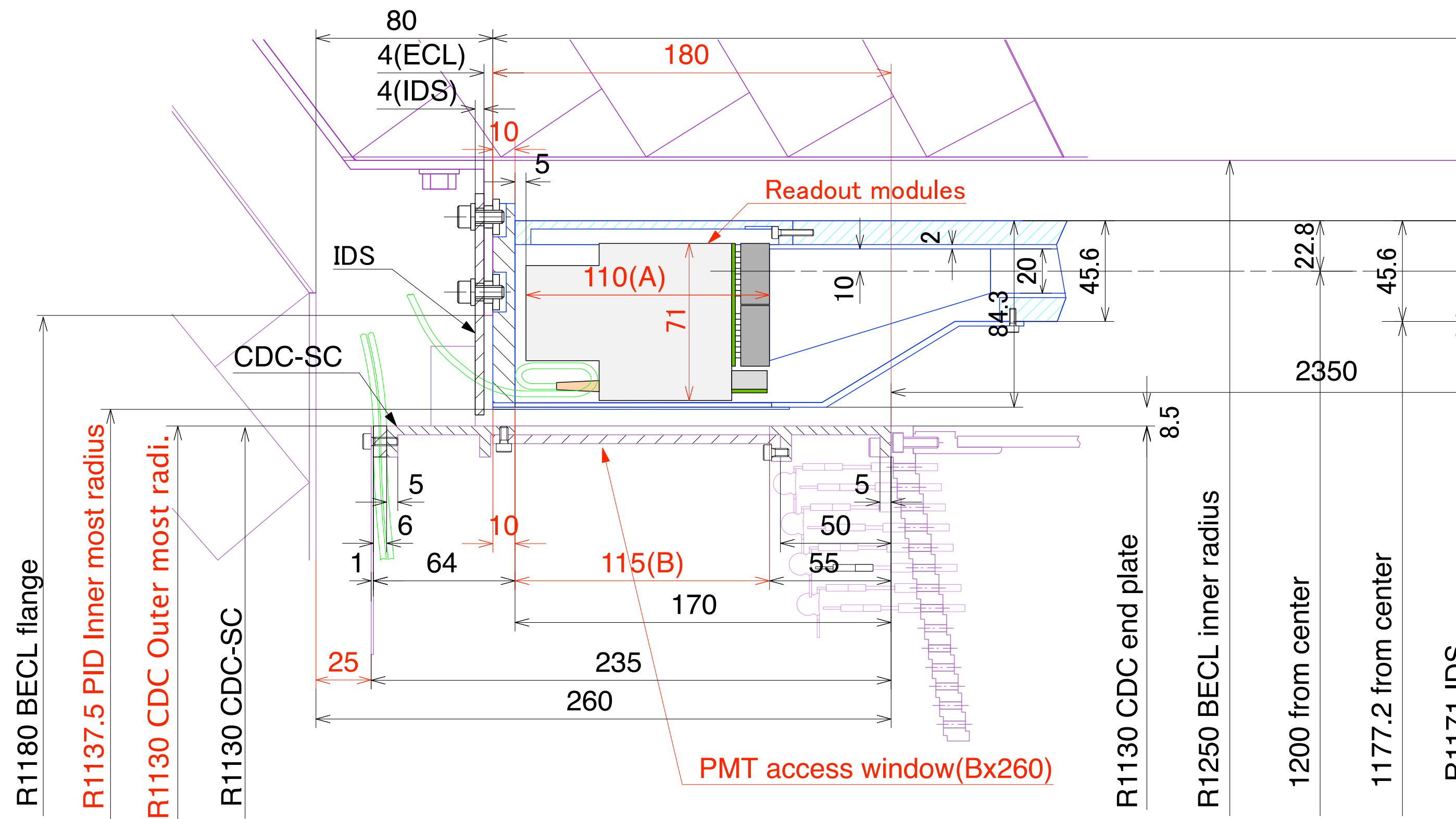
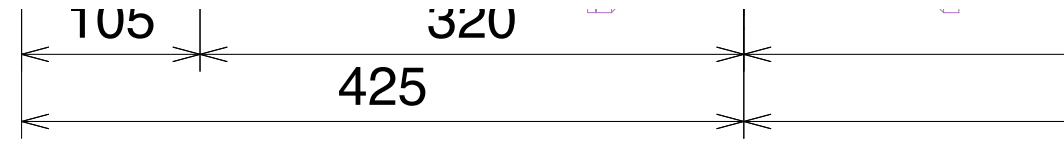


E
F
G
H

A	B	C
77	95	780
110	115	760
130	135	740

Backward IDS and QBB detail : Scale 1/2



R1180 BECL flange

R1137.5 PID Inner most radius

R1130 CDC Outer most radi.

R1130 CDC-SC

R1130 CDC end plate

R1250 BECL inner radius

1200 from center

1177.2 from center

D1171 INC

580
670

CDC inner support ring

1/2

Forward IDS and QBB detail : Scale 1/2

2870

30

M6 Nuts(IDS)

8

22

M6x15 Bolts(IDS)

45.6

6.2

4

CDC-SC

22

IDS

1177.2 from center

R1171 IDS

59

1

60

20

R1130 CDC-SC

R1145

R1167 IDS

R1180 BECL flange

DESIGNED

FINISH
CLE/
REM

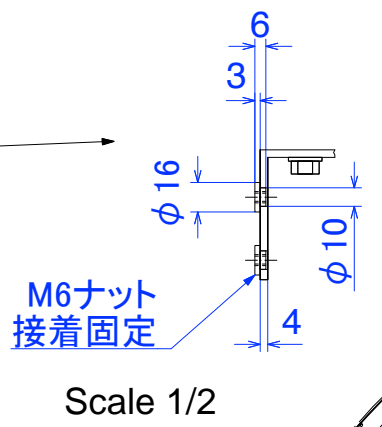
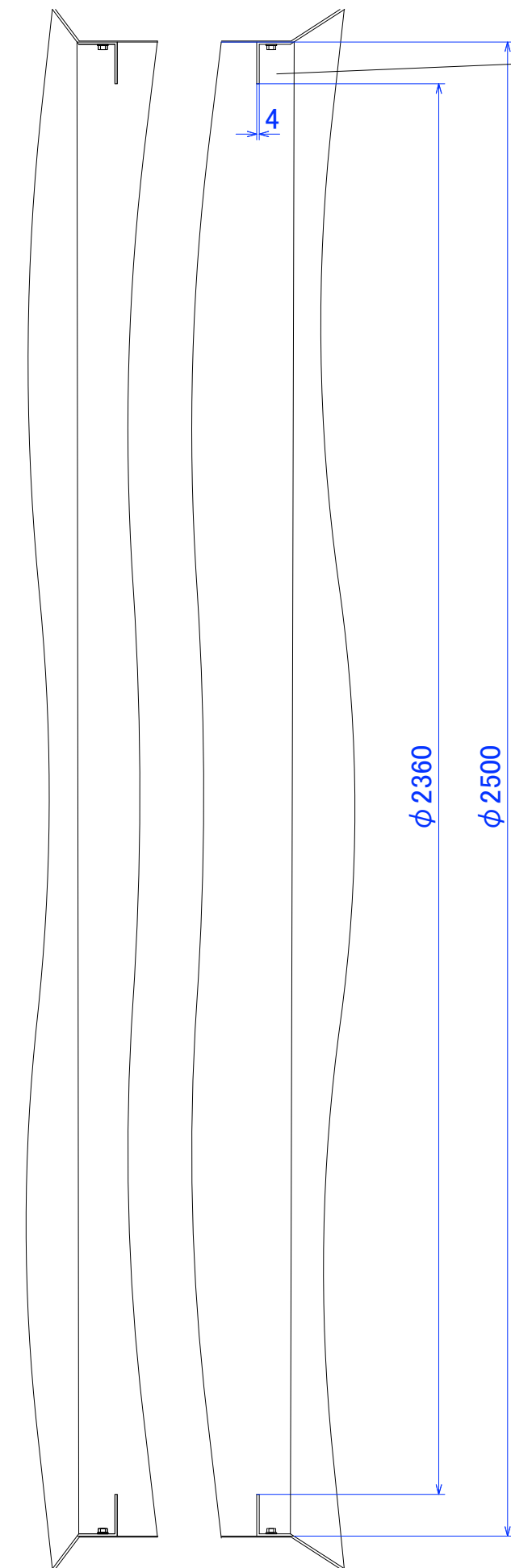
TITLE

INS
HIGH E



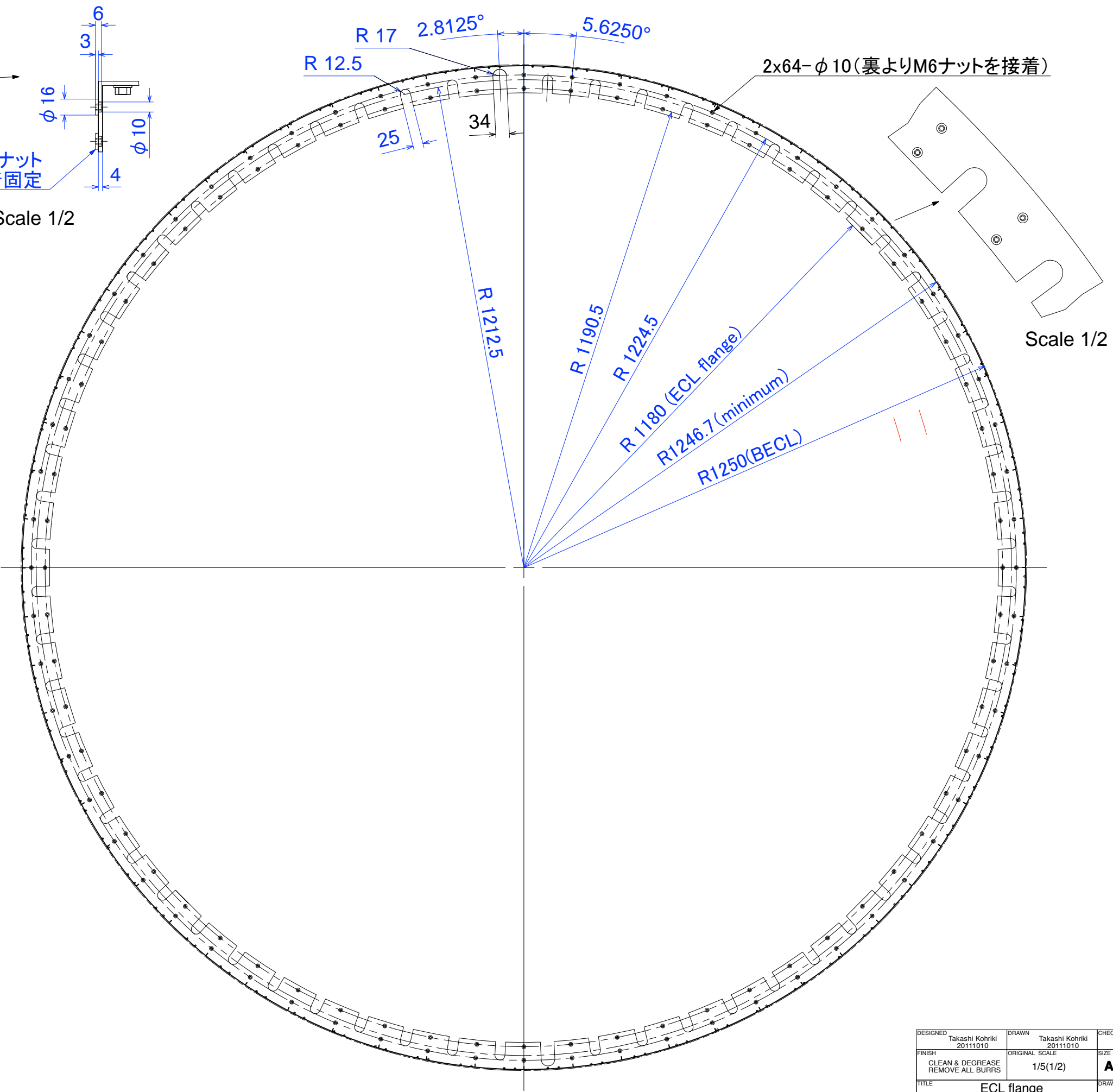
Backward

Forward



Scale 1/2

ϕ 2360
 ϕ 2500



Scale 1/2

DESIGNED Takashi Kohriki 20111010	DRAWN Takashi Kohriki 20111010	CHECKED		
FINISH CLEAN & DEGREASE REMOVE ALL BURRS	ORIGINAL SCALE 1/5(1/2)	SIZE A1	SHEET of	REV. R1
TITLE ECL flange (Forward & Backward)		DRAWING NO. ecl-flange.wvx		
MECHANICAL ENGINEERING GROUP INSTITUTE FOR PARTICLE AND NUCLEAR STUDIES HIGH ENERGY ACCELERATOR RESEARCH ORGANIZATION OHO 1-1, TSUKUBA, IBARAKI 305-0801, JAPAN		PROJECT Belle II	PROJECTION	

2

3

4

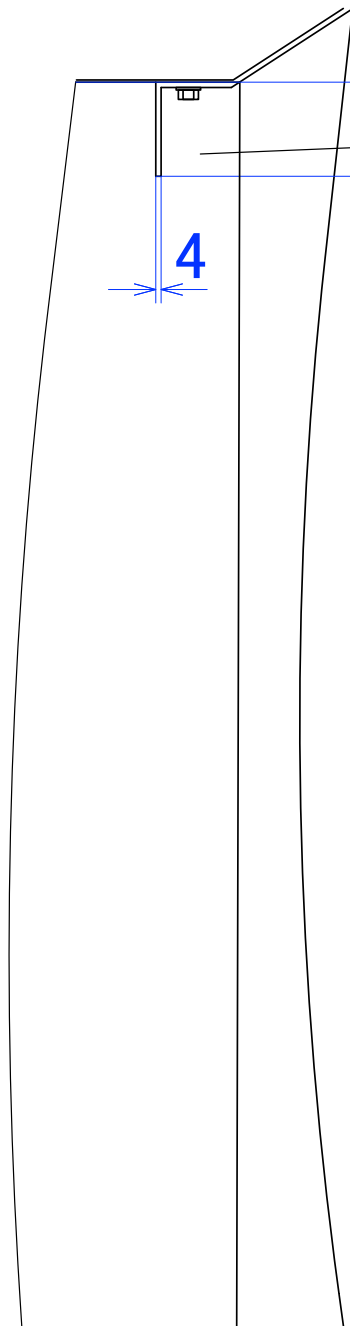
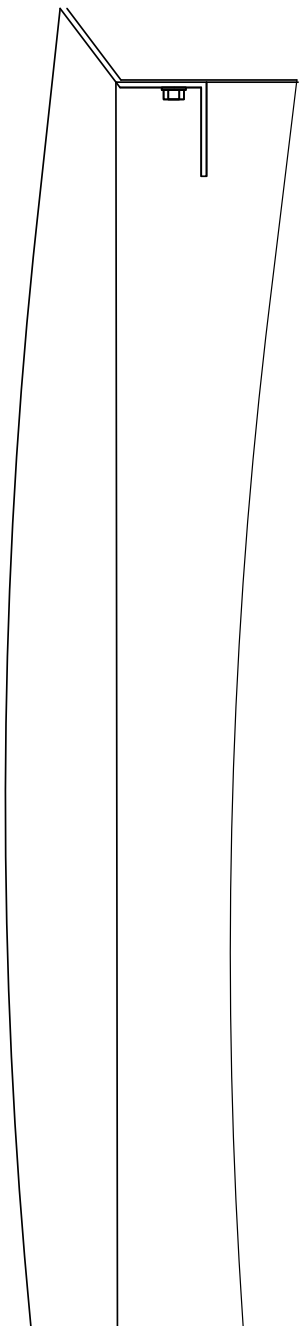
5

6

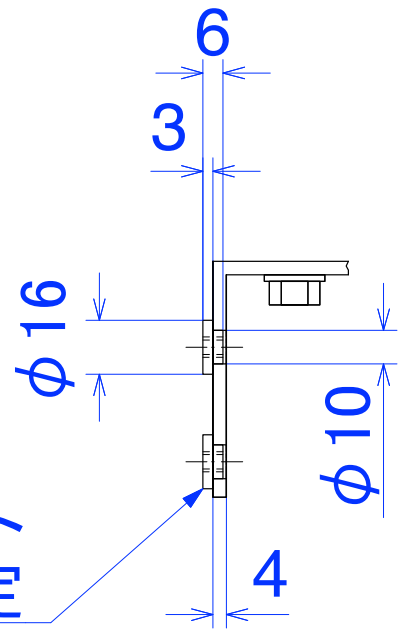
7

Backward

Forward



4



6

3

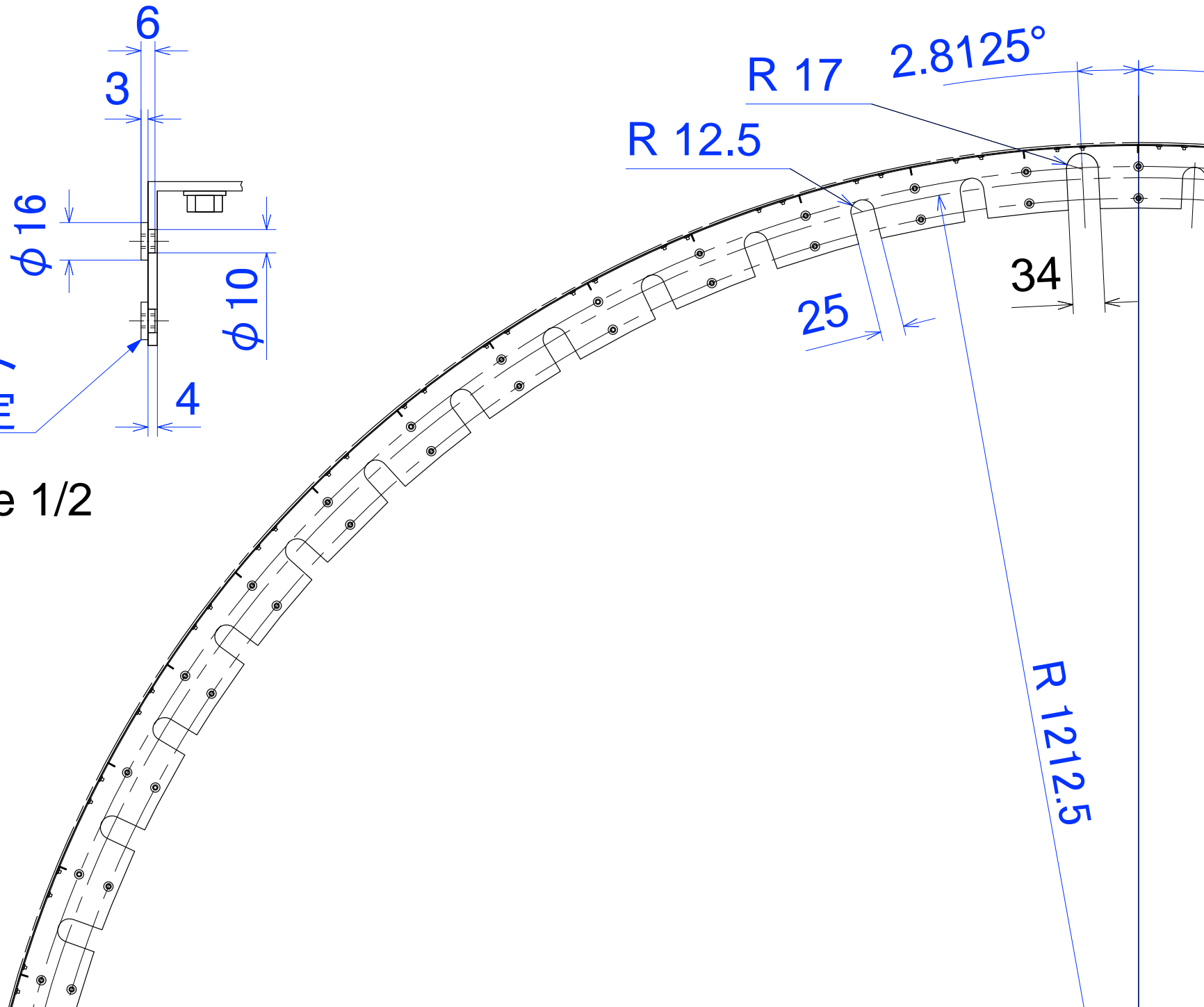
φ16

φ10

4

M6ナット
接着固定

Scale 1/2



R 12.5

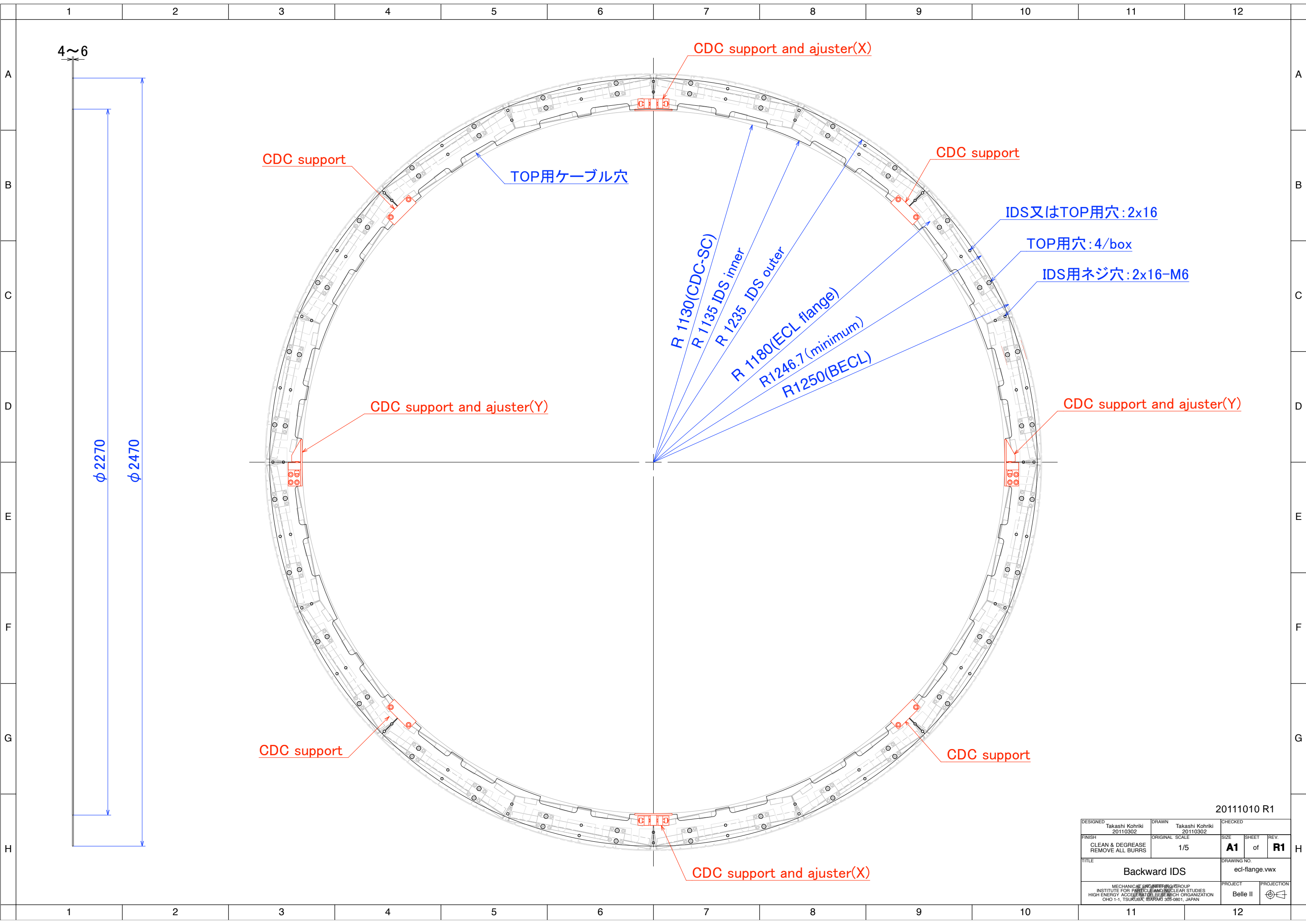
R 17

2.8125°

25

34

R 1212.5



20111010 R1

DESIGNED Takashi Kohriki 20110302	DRAWN Takashi Kohriki 20110302	CHECKED	
FINISH CLEAN & DEGREASE REMOVE ALL BURRS	ORIGINAL SCALE 1/5	SIZE A1	SHEET of R1
TITLE Backward IDS		DRAWING NO. ecl-flange.vwx	
MECHANICAL ENGINEERING GROUP INSTITUTE FOR PARTICLE AND NUCLEAR STUDIES HIGH ENERGY ACCELERATOR RESEARCH ORGANIZATION OH O 1-1, TSUKUBA, IBARAKI 305-0801, JAPAN		PROJECT Belle II	PROJECTION

inner

IDS outer

R 1180 (ECL flange)

R1246.7 (minimum)

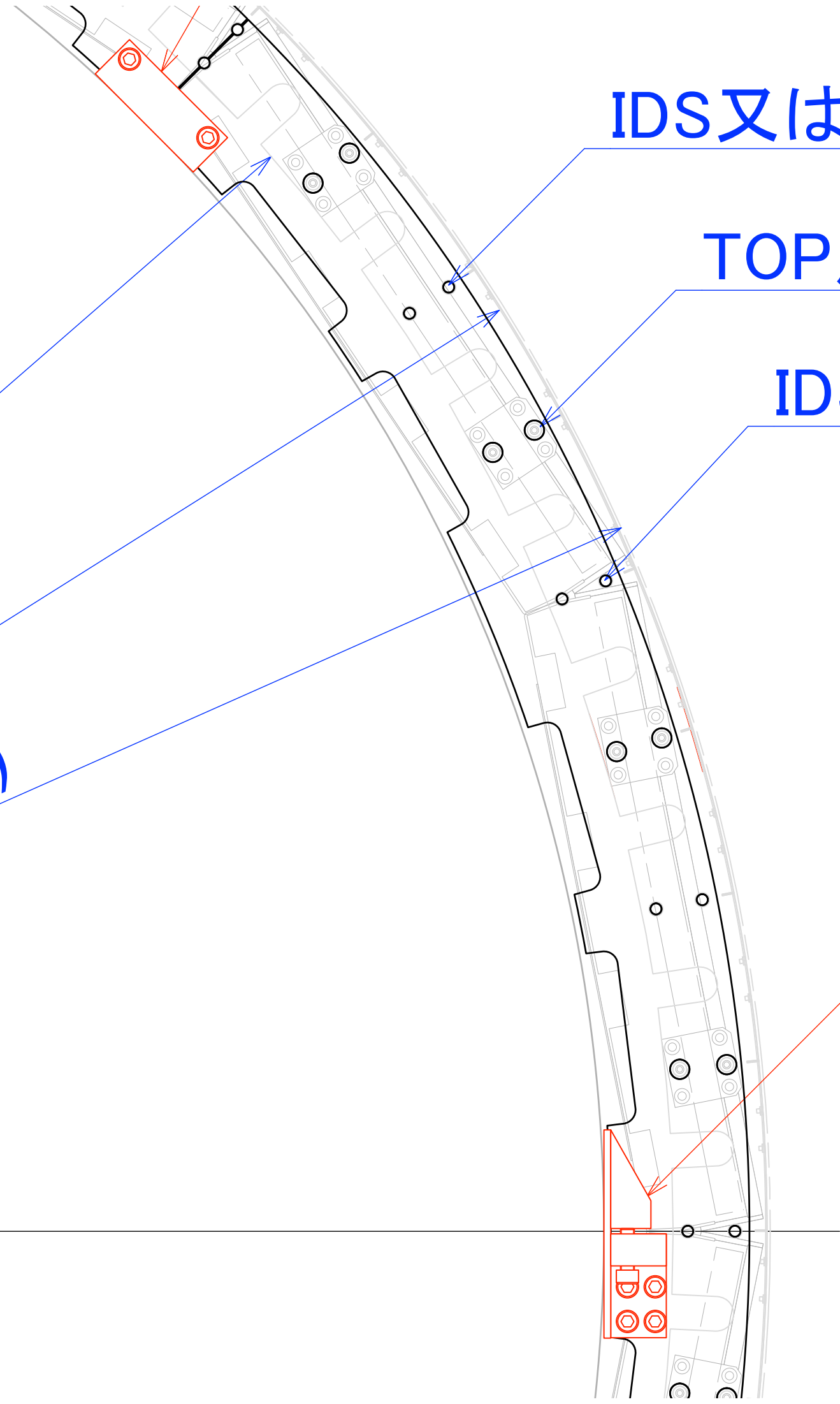
R1250 (BECL)

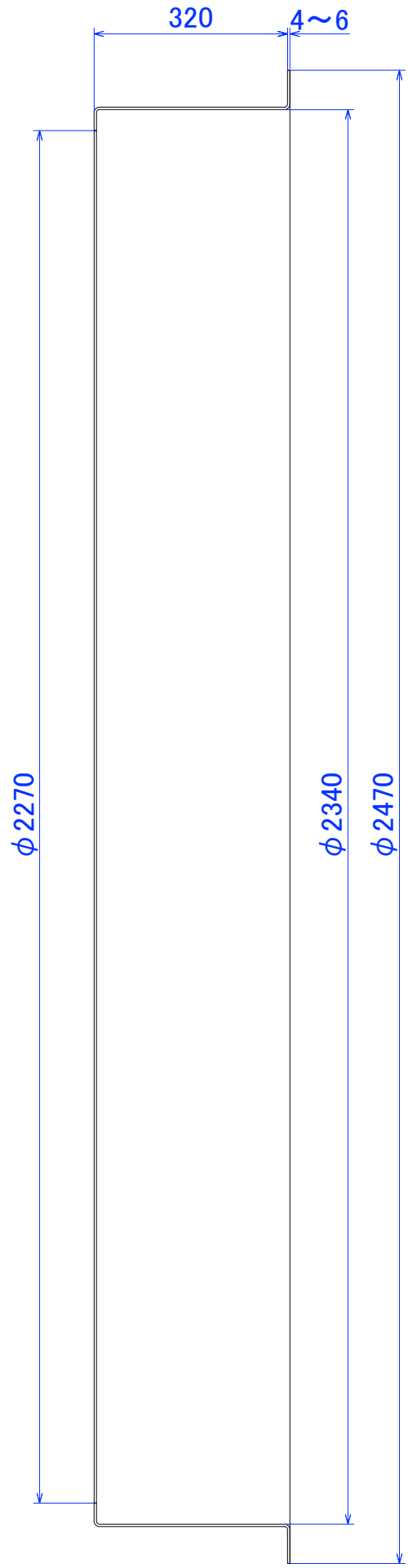
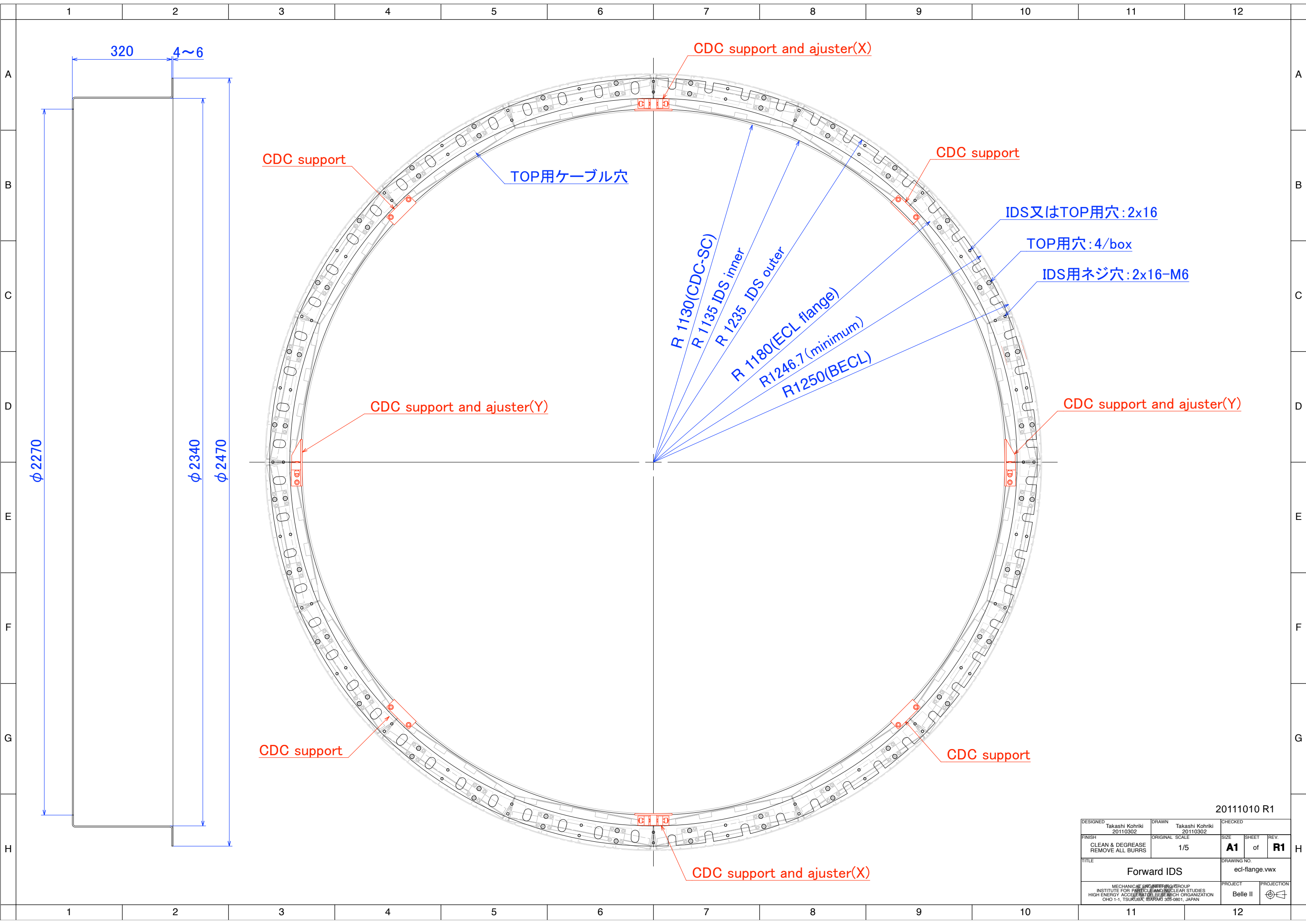
IDS又はTOP用穴: 2x16

TOP用穴: 4/box

IDS用ネジ穴: 2x16-M

CDC support and





20111010 R1

DESIGNED Takashi Kohriki 20110302	DRAWN Takashi Kohriki 20110302	CHECKED	
FINISH CLEAN & DEGREASE REMOVE ALL BURRS	ORIGINAL SCALE 1/5	SIZE A1	SHEET of R1
TITLE Forward IDS		DRAWING NO. ecl-flange.vwx	
MECHANICAL ENGINEERING GROUP INSTITUTE FOR PARTICLE AND NUCLEAR STUDIES HIGH ENERGY ACCELERATOR RESEARCH ORGANIZATION OH O-1-1, TSUKUBA, IBARAKI 305-0801, JAPAN		PROJECT Belle II	PROJECTION ⊕

inner

R 1180 (IDS outer)

R 1246.7 (minimum)

R 1250 (BECL)

IDS又はTOP用穴: 2x16

TOP用穴: 4/box

IDS用ネジ穴: 2x16-M

CDC support and

