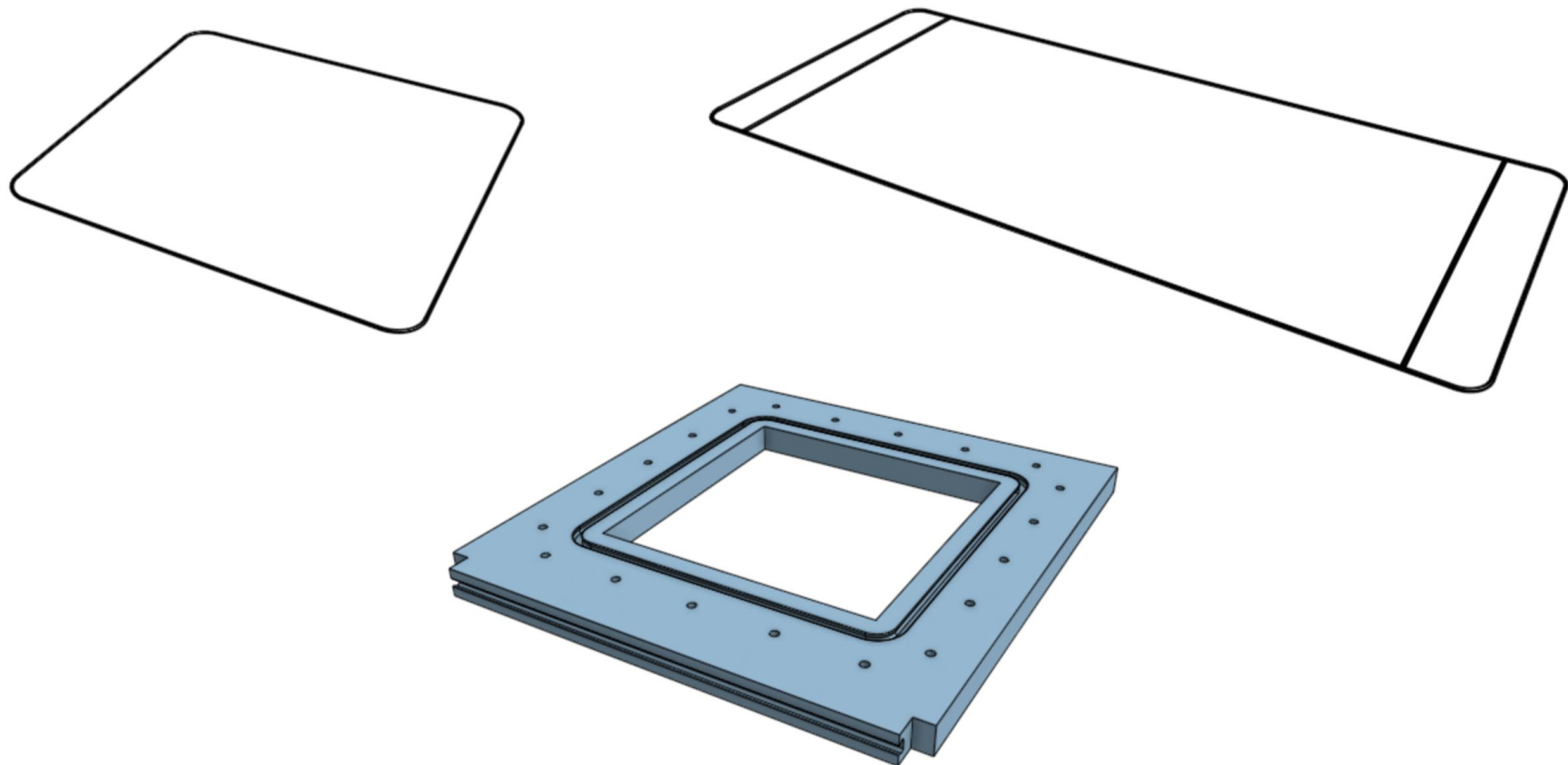


CYGNUS HD Meeting 5

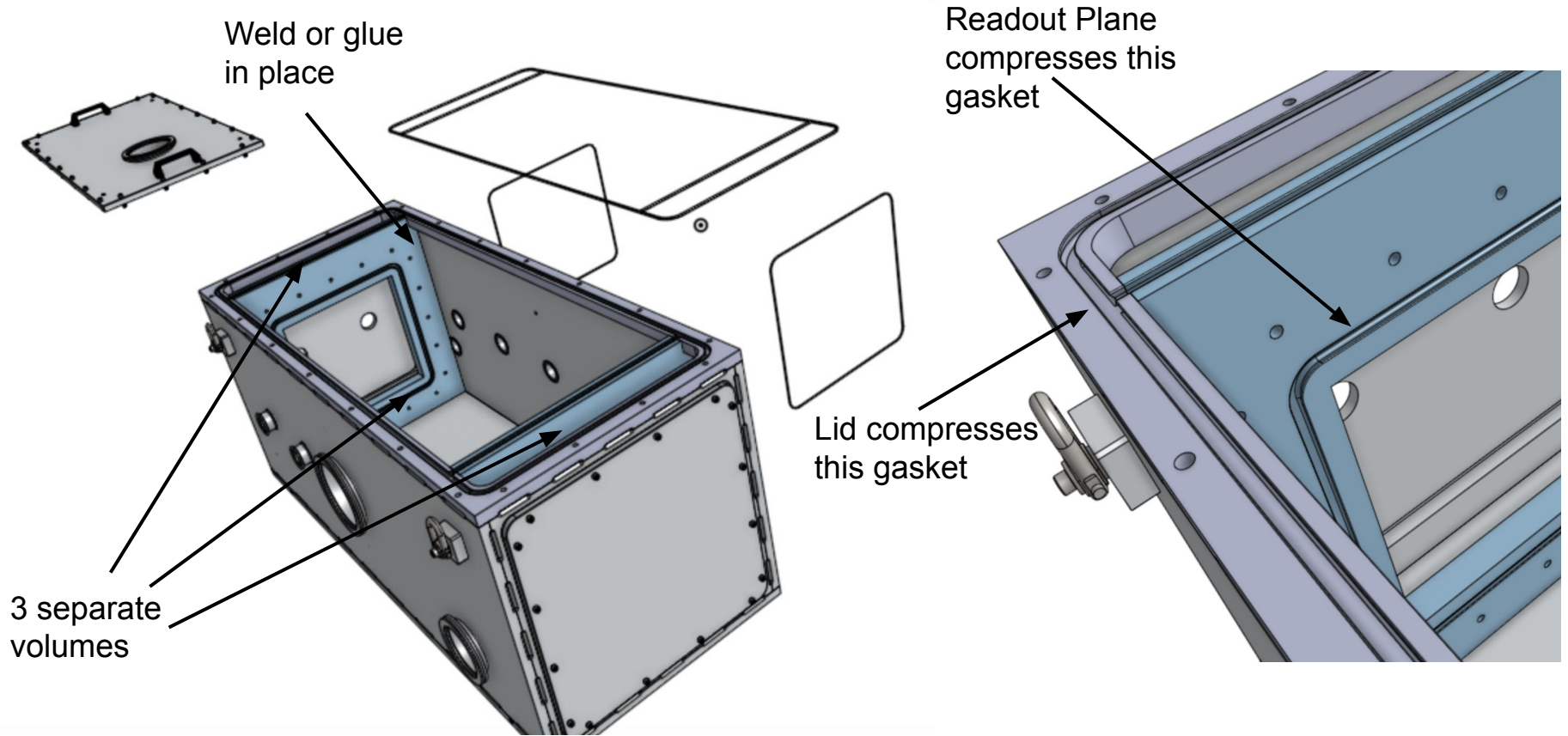
06/09/2021

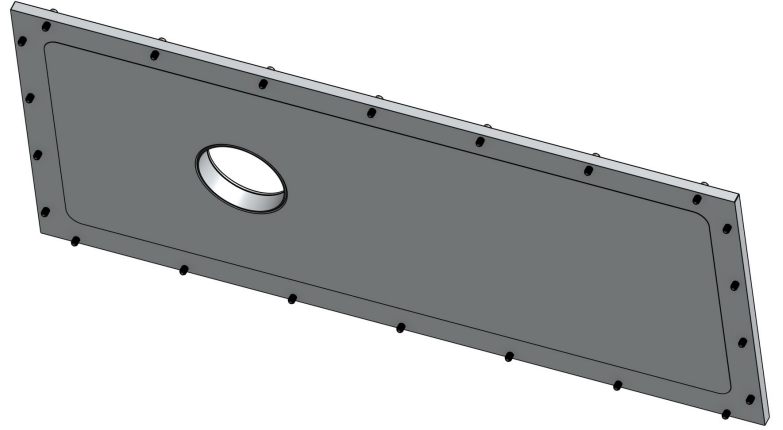
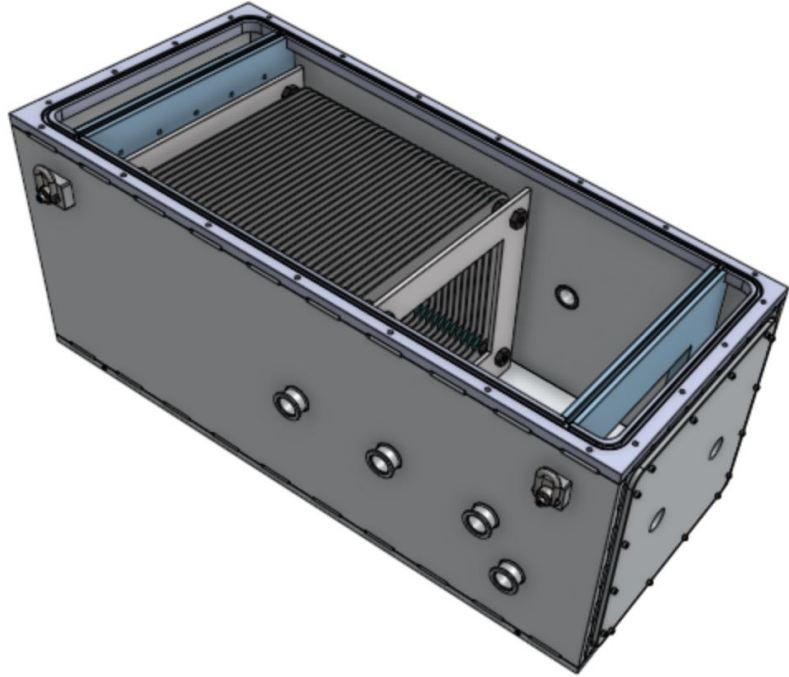
Majd Ghrear

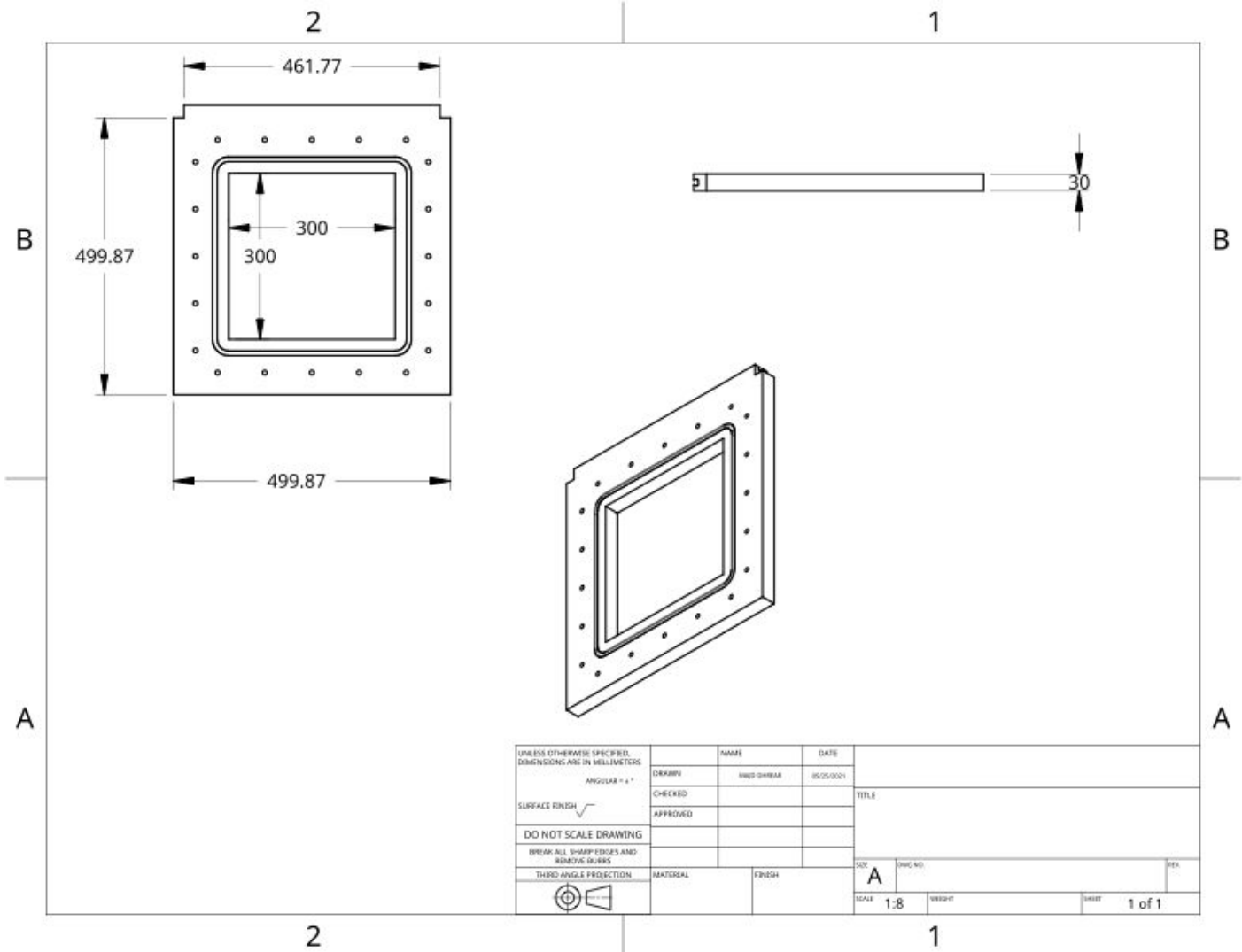
Detector Gas Separation System 1



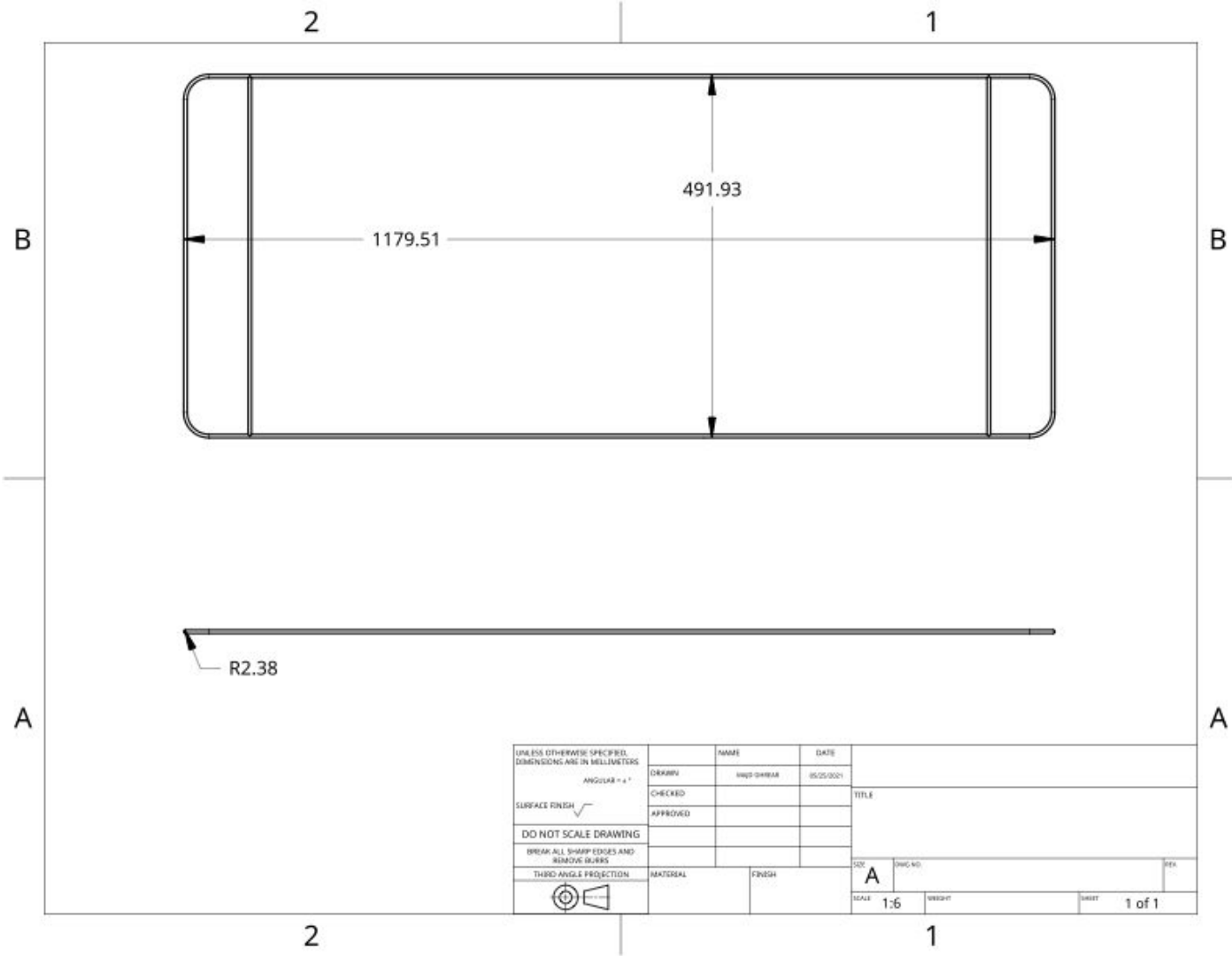
Detector Gas Separation System







| | | | | | | |
|--|-------------------------------|------------|------------|-------|---------|--------|
| UNLESS OTHERWISE SPECIFIED, DIMENSIONS ARE IN MILLIMETERS | DESIGNER | NAME | DATE | TITLE | | |
| | ANGULAR $\pm 0.1^\circ$ | MRD SHREYA | 25/05/2021 | | | |
| | SURFACE FINISH $\sqrt{\quad}$ | CHECKED | | | | |
| | DO NOT SCALE DRAWING | APPROVED | | | | |
| BREAK ALL SHARP EDGES AND REMOVE BURRS | | | | SIZE | DWG NO. | REV |
| THIRD ANGLE PROJECTION | TEXTURAL | FINISH | | A | | |
| | | | | SCALE | WEIGHT | SHEET |
| | | | | 1:8 | | 1 of 1 |



| | | | | |
|---|----------|-----------|------------|--------------|
| UNLESS OTHERWISE SPECIFIED, DIMENSIONS ARE IN MILLIMETERS ANGULAR = ± ° | DESIGN | NAME | DATE | TITLE |
| | CHECKED | WHS-DHRAH | 05/25/2021 | |
| | APPROVED | | | |
| | | | | |
| SURFACE FINISH ✓ | | | | |
| DO NOT SCALE DRAWING | | | | |
| BREAK ALL SHARP EDGES AND REMOVE BURRS | | | | |
| THIRD ANGLE PROJECTION | MATERIAL | FINISH | | |
| | | | | |
| | | | | SIZE A |
| | | | | DWG NO. |
| | | | | REV |
| | | | | SCALE 1:6 |
| | | | | WEIGHT |
| | | | | SHEET 1 of 1 |

Detector Gas Separation System 2

