

# global DAQ

CDC+TOP+ECL+BKLM

run2811 run2814

raw data of these two runs are available at kekcc:

`/ghi/fs01/belle2/bdata/group/detector/BKLM/globalDAQ/cosmic.0001.02811.sroot`

`/ghi/fs01/belle2/bdata/group/detector/BKLM/globalDAQ/cosmic.0001.02814.sroot`

`/ghi/fs01/belle2/bdata/group/detector/BKLM/globalDAQ/cosmic.0001.02814.sroot-1`

Eve Event Control

Event

12 / 23399

Delay (s): 3.5

Jump to event/run/exp...

Event: 308  
Run: 2811  
Experiment: 1

Options

- Show MC info
  - Assign hits to primary particles
- Show all primaries
- Show all charged particles
- Show all neutral particles
- Hide secondaries
- Show candidates and rec. hits
- Show tracks, vertices, gammas

Current Viewer

Save As... Save As (High-Res)...

Dock/Undock Viewer

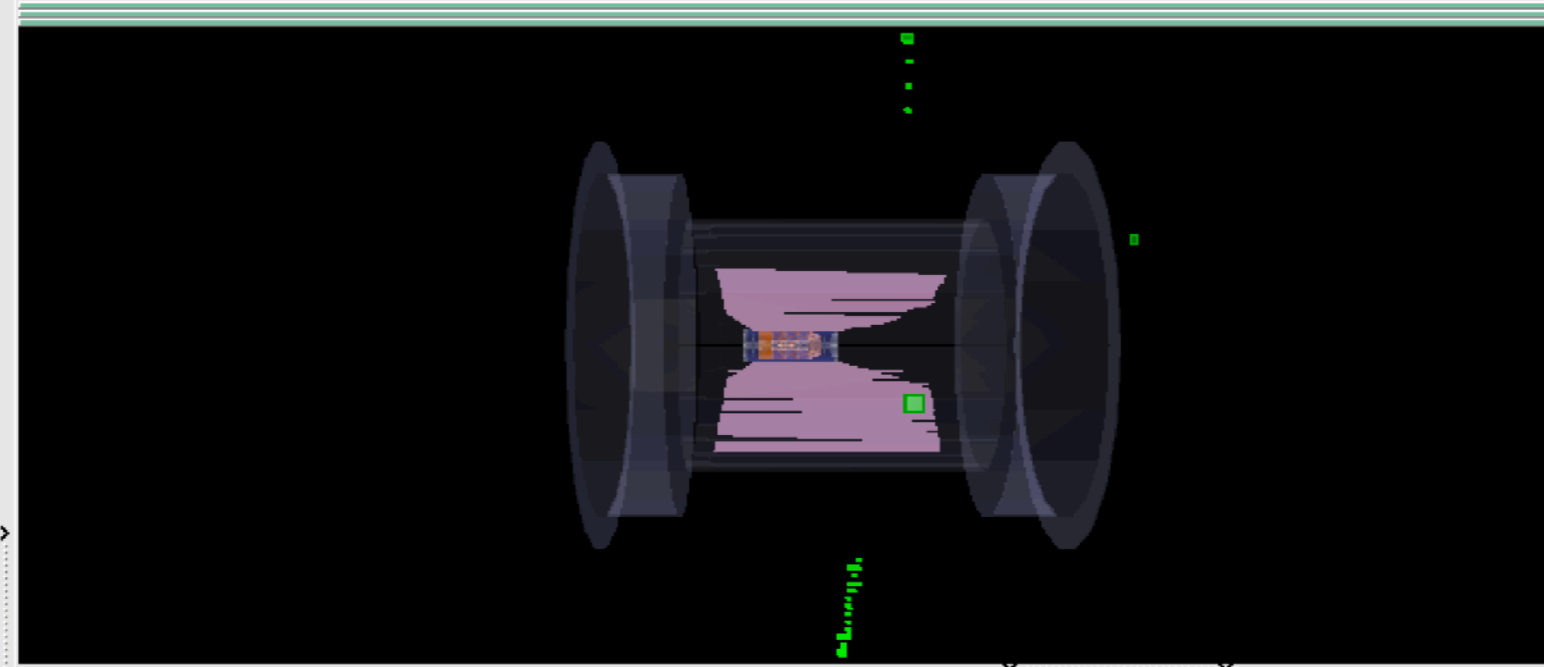
Visualisation Options

Dark/light colors

Closing

Exit

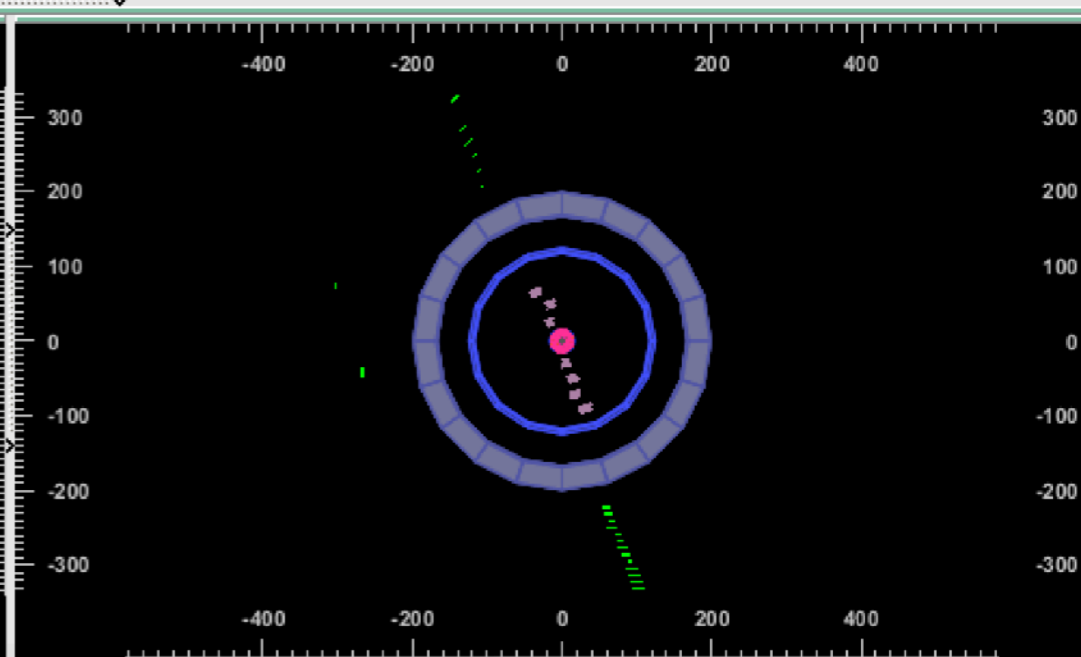
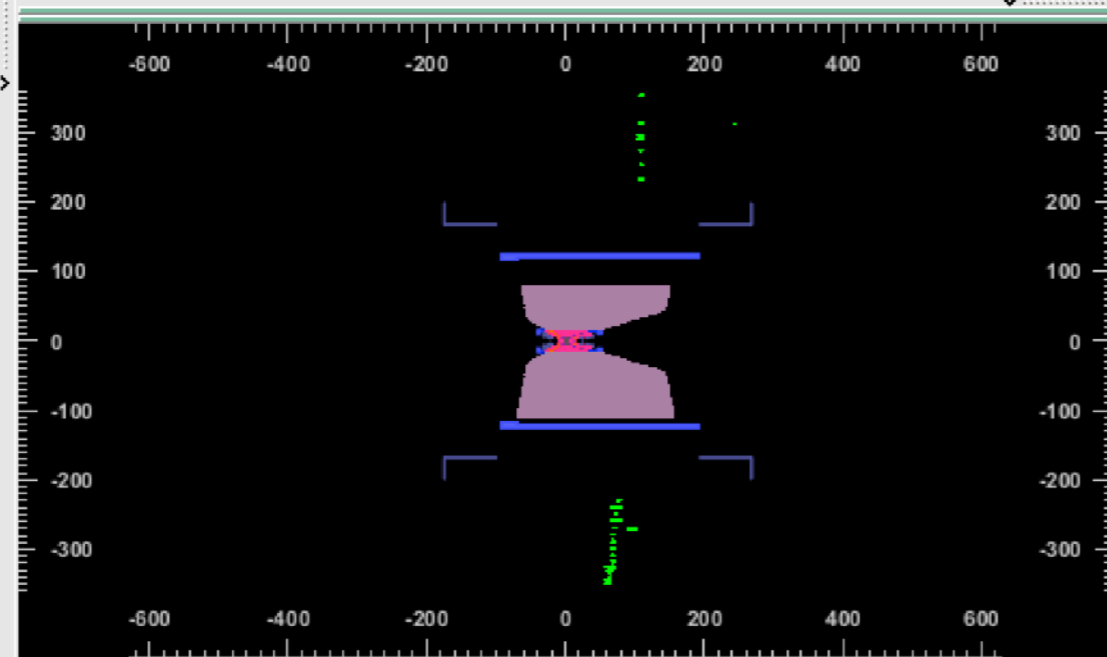
Tab 1



DataStore / Back

Arrays

- ARICHAeroHits (0)
- ARICHSimHits (0)
- [BKLMHits \(82\)](#)
- [BKLMHit2ds \(21\)](#)
- BKLMSimHitPositions (0)
- BKLMSimHits (0)
- BeamBackHits (0)
- [CDCHits \(112\)](#)
- CDCSimHits (0)
- EKLMSimHits (0)
- PXDSimHits (0)
- PXDTrueHits (0)
- SVDSimHits (0)
- SVNTrueHits (0)



Event

3 / 23399

Delay (s): 3.5

Jump to event/run/exp...

Event: 310  
Run: 2811  
Experiment: 1

Options

- Show MC info
  - Assign hits to primary particles
- Show all primaries
- Show all charged particles
- Show all neutral particles
- Hide secondaries
- Show candidates and rec. hits
- Show tracks, vertices, gammas

Current Viewer

Save As... Save As (High-Res)...

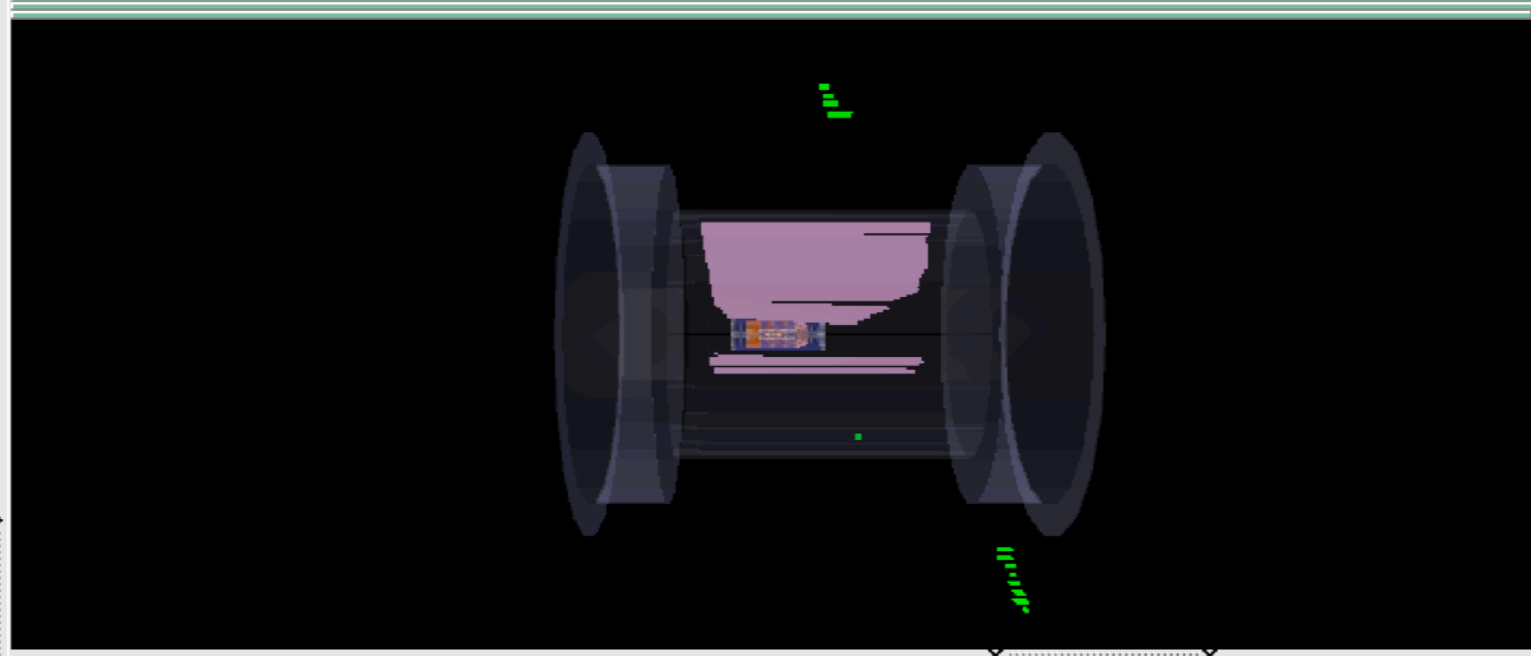
Dock/Undock Viewer

Visualisation Options

Dark/light colors

Closing

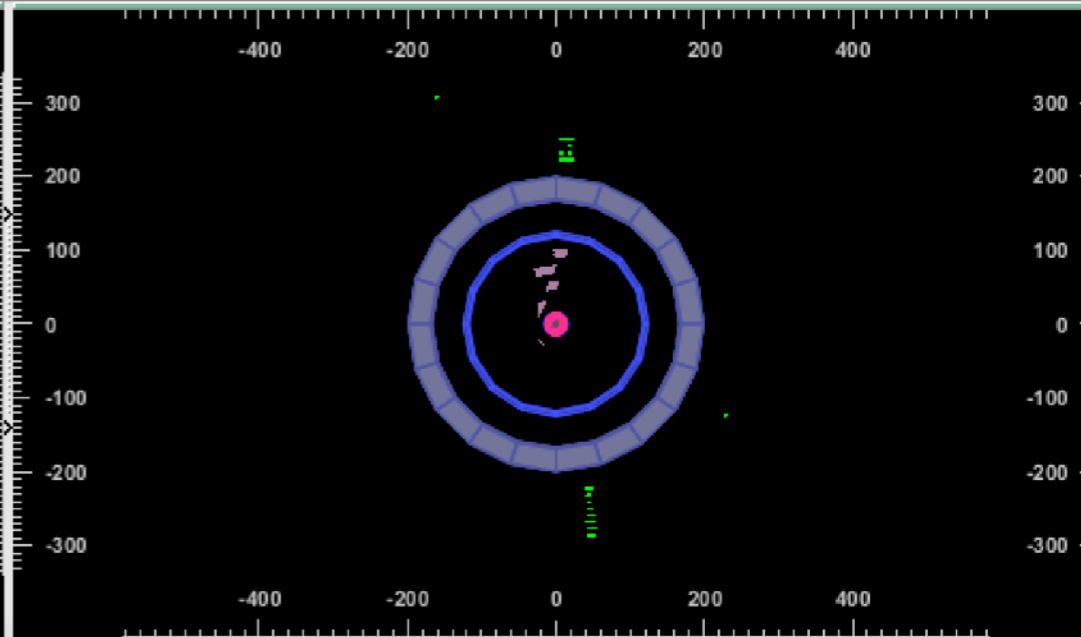
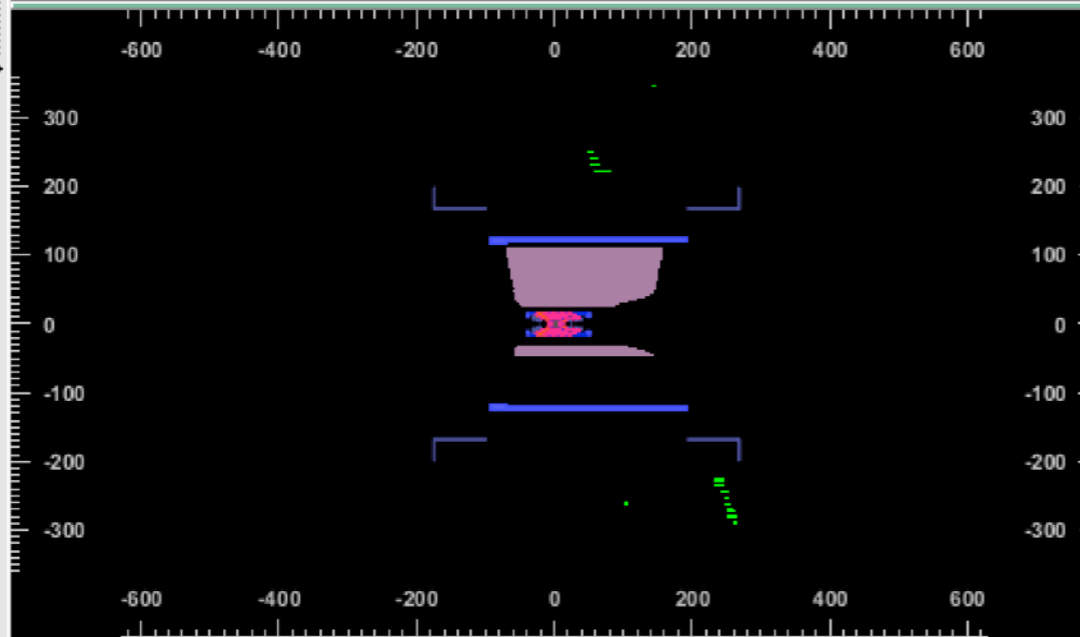
Exit



DataStore / Back

Arrays

- ARICHAeroHits (0)
- ARICHSimHits (0)
- [BKLMDigits \(68\)](#)
- [BKLMHit2ds \(15\)](#)
- BKLMSimHitPositions (0)
- BKLMSimHits (0)
- BeamBackHits (0)
- [CDCHits \(133\)](#)
- CDCSimHits (0)
- EKLMSimHits (0)
- PXDSimHits (0)
- PXDTrueHits (0)
- SVDSimHits (0)
- SVDTTrueHits (0)



**Event Control**

Event

37 / 23399

Delay (s): 3.5

Jump to event/run/exp...

Event: 506  
Run: 2811  
Experiment: 1

---

**Options**

- Show MC info
  - Assign hits to primary particles
- Show all primaries
- Show all charged particles
- Show all neutral particles
- Hide secondaries
- Show candidates and rec. hits
- Show tracks, vertices, gammas

---

**Current Viewer**

Save As... Save As (High-Res)...

Dock/Undock Viewer

---

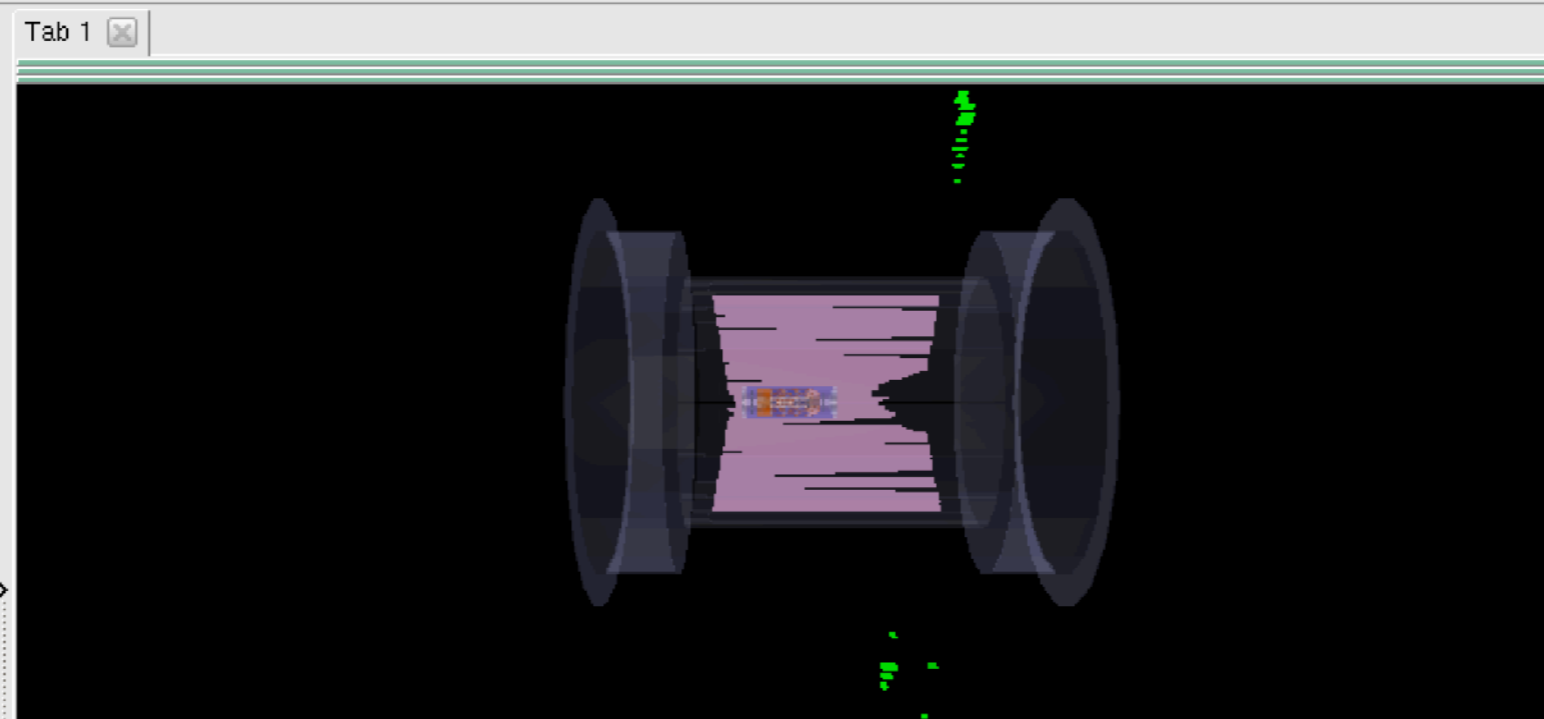
**Visualisation Options**

Dark/light colors

---

**Closing**

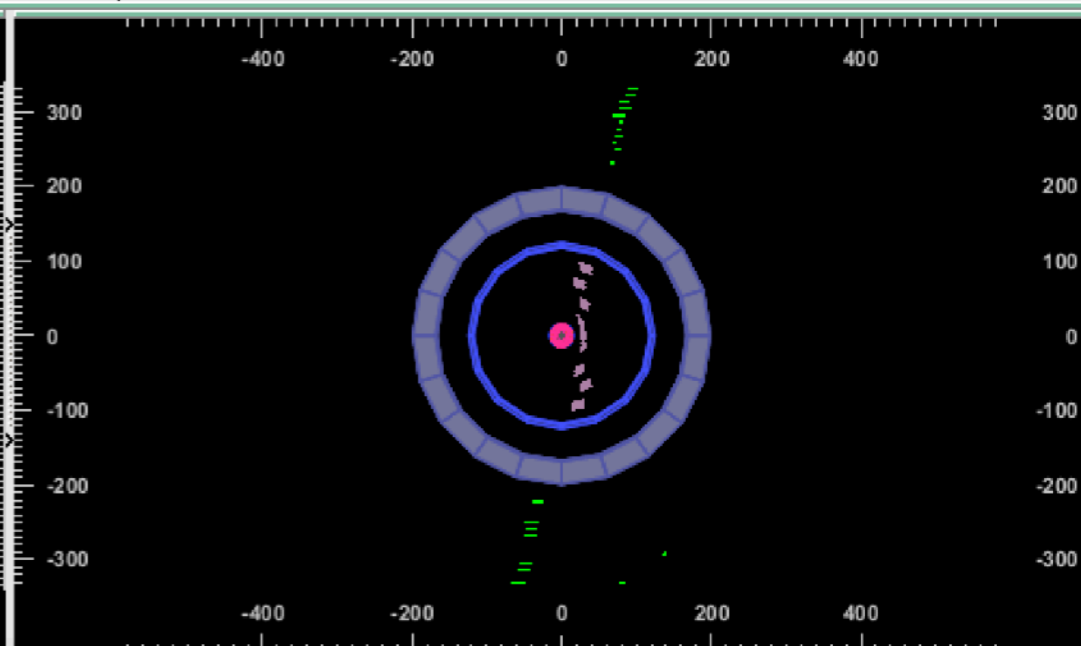
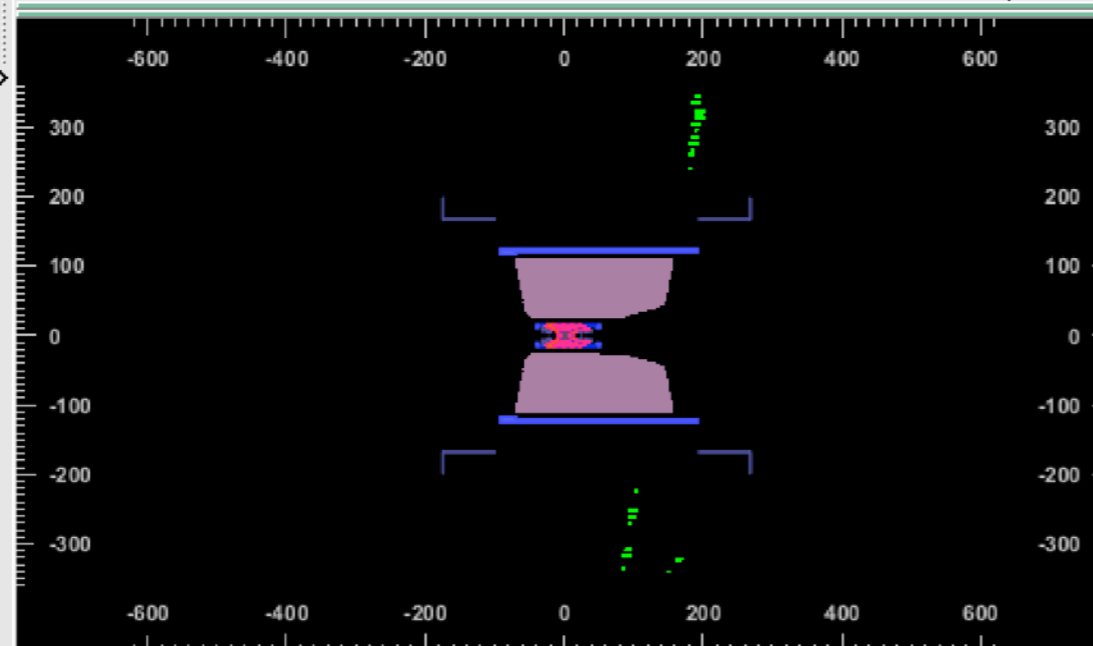
Exit



[DataStore /](#) Back

**Arrays**

- ARICHAeroHits (0)
- ARICHSimHits (0)
- [BKLMDigits \(108\)](#)
- [BKLMHit2ds \(20\)](#)
- BKLMSimHitPositions (0)
- BKLMSimHits (0)
- BeamBackHits (0)
- [CDCHits \(208\)](#)
- CDCSimHits (0)
- EKLMSimHits (0)
- PXDSimHits (0)
- PXDTrueHits (0)
- SVDSimHits (0)
- SVDTrueHits (0)



**Event Control**

Event: 140 / 999

Delay (s): 3.5

Jump to event/run/exp...

Event: 194  
Run: 2811  
Experiment: 1

**Options**

- Show MC info
  - Assign hits to primary particles
  - Show all primaries
  - Show all charged particles
  - Show all neutral particles
  - Hide secondaries
- Show candidates and rec. hits
- Show tracks, vertices, gammas

**Current Viewer**

Save As... Save As (High-Res)...

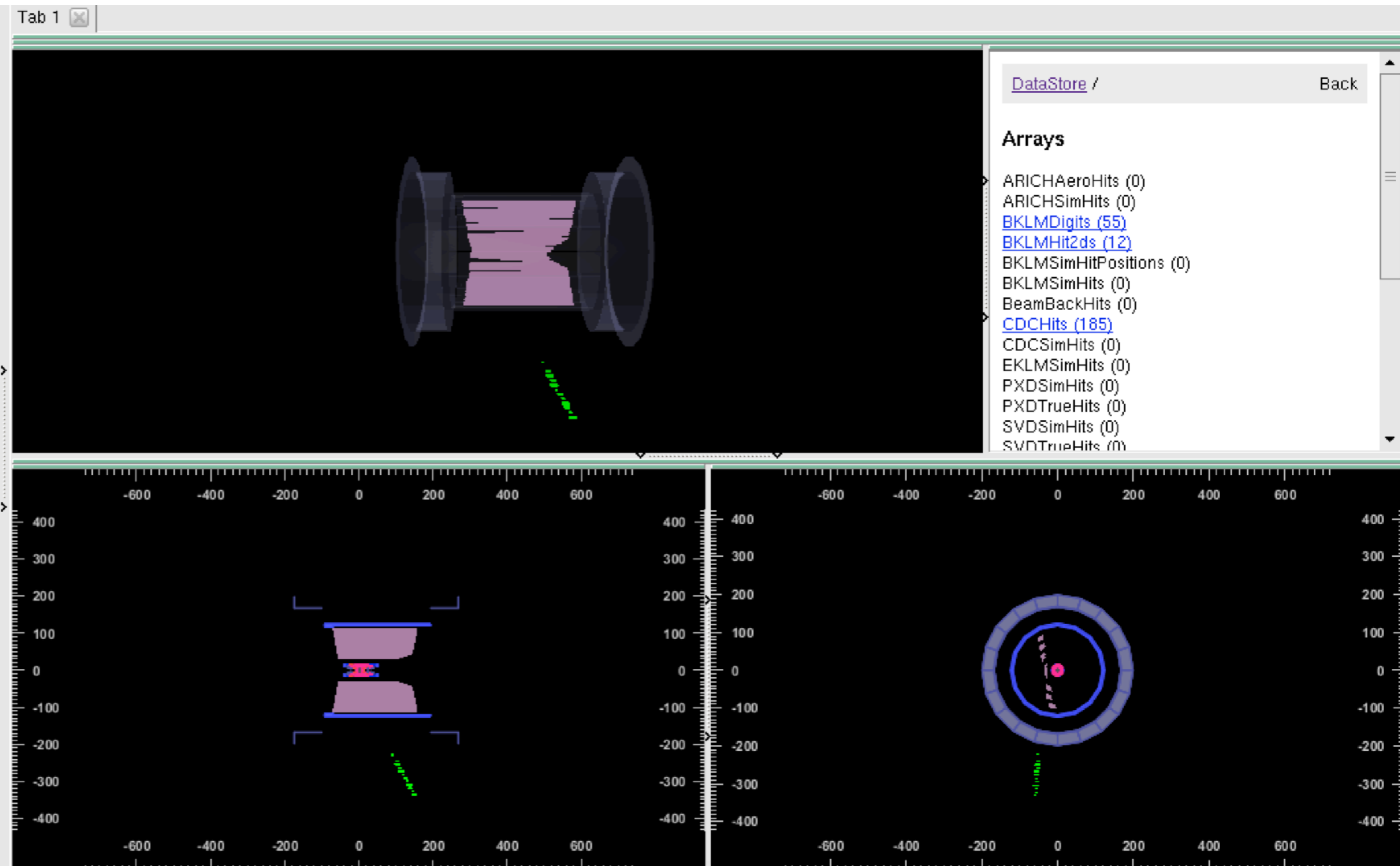
Dock/Undock Viewer

**Visualisation Options**

Dark/light colors

**Closing**

Exit



Eve Event Control

Event

121 / 999

Delay (s): 3.5

Jump to event/run/exp...

Event: 346  
Run: 2811  
Experiment: 1

Options

- Show MC info
  - Assign hits to primary particles
  - Show all primaries
  - Show all charged particles
  - Show all neutral particles
  - Hide secondaries
- Show candidates and rec. hits
- Show tracks, vertices, gammas

Current Viewer

Save As... Save As (High-Res)...

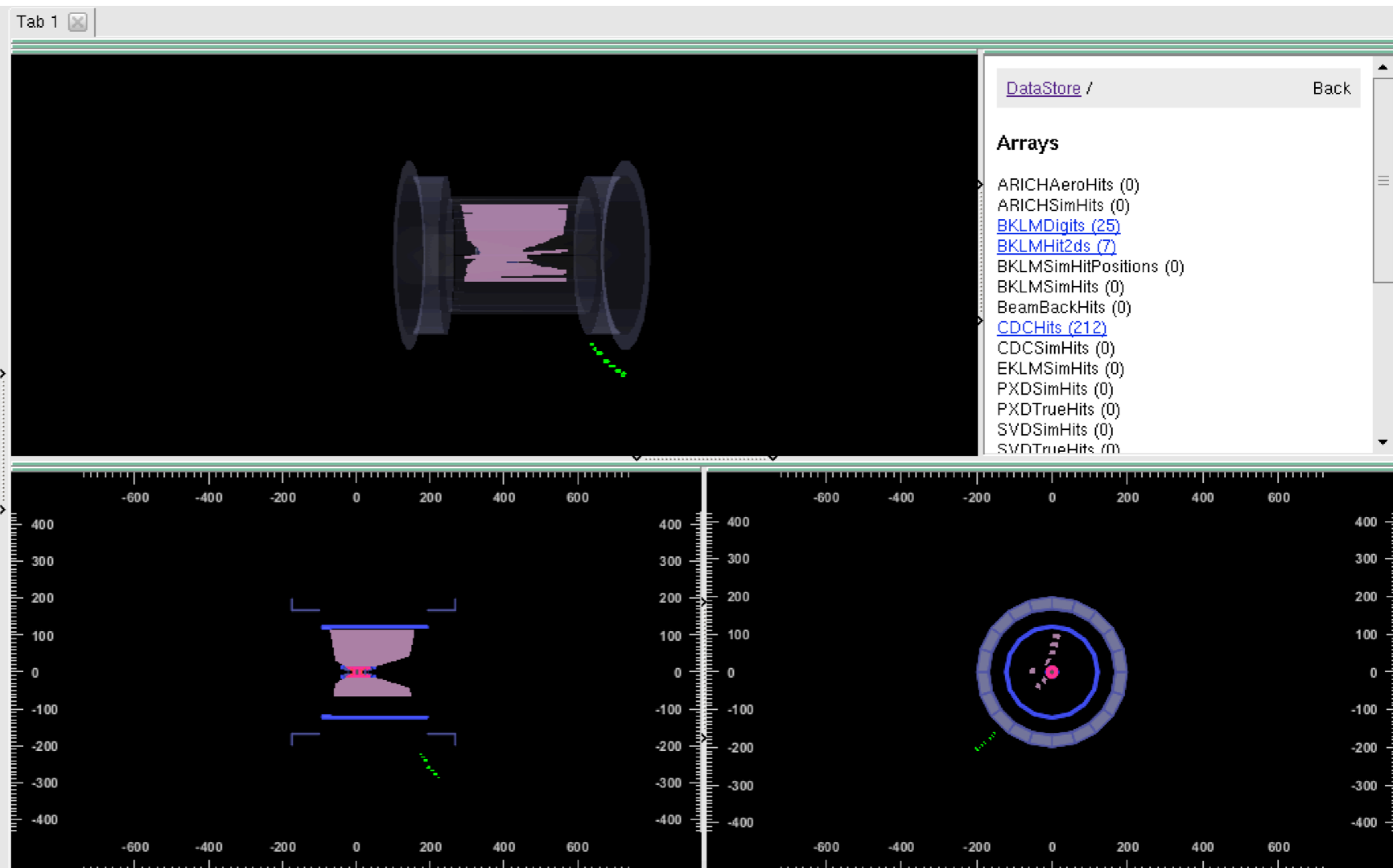
Dock/Undock Viewer

Visualisation Options

Dark/light colors

Closing

Exit



Event Control

Event

102 / 999

Delay (s): 3.5

Jump to event/run/exp...

Event: 72  
Run: 2811  
Experiment: 1

Options

- Show MC info
  - Assign hits to primary particles
- Show all primaries
- Show all charged particles
- Show all neutral particles
- Hide secondaries
- Show candidates and rec. hits
- Show tracks, vertices, gammas

Current Viewer

Save As... Save As (High-Res)...

Dock/Undock Viewer

Visualisation Options

Dark/light colors

Closing

Exit

